

D11T/D11T CD

Dozer



Engine

Engine Model	Cat® C32 ACERT™
Emissions	U.S. EPA Tier 4 Final or Tier 2 Equivalent
Net SAE J1349/ISO 9249	634 kW 850 hp

Weights

Operating Weight	104 236 kg	229,800 lb
Shipping Weight	37 485 kg	82,640 lb
Operating Weight – CD	112 718 kg	248,500 lb
Shipping Weight – CD	37 802 kg	83,340 lb

Helping you get more done at the lowest cost per unit of material moved.

Contents

Structures	4
Engine	6
Emissions Technology	6
Cooling System	7
Power Train	8
Undercarriage	9
Operator Station	10
Integrated Technologies	12
Cat MineStar™	13
Safety	14
Work Tools	16
Serviceability	17
Customer Support	17
Sustainability	18
Specifications	19
Standard Equipment	24
Optional Equipment	25
Notes	26





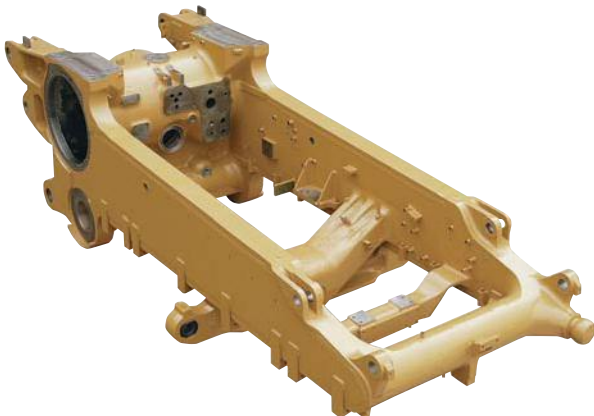
Cat® large dozers are designed with durability built in, ensuring maximum availability through multiple life cycles. By optimizing performance and simplifying serviceability with our modular design, our machines move more material efficiently and safely at a lower cost per ton.

These models include safety enhancements, improved operator comfort, and productivity increasing electronic features to keep your business strong for generations to come.



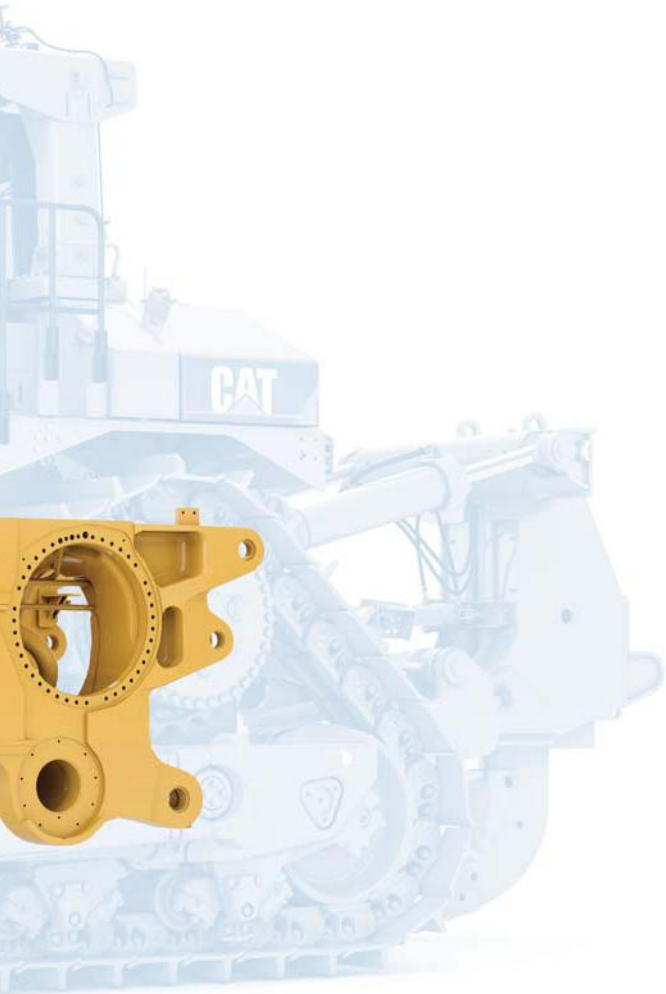
Structures

Engineered for maximum production and service life.



Carrydozer Frame

The Carrydozer frame is specifically designed to accept the additional frame loads generated by the unique Carrydozer blade design.



Mainframe Strength

Helping you get more done with maximum availability, the durable design of the mainframe makes repair and maintenance easy. The D11T/D11T CD mainframes are built to absorb high impact shock loads and twisting forces during severe dozing and ripping applications. It is not uncommon to see these machines rebuilt several times using the same frame, with only minor welding.

- Frame rails have a full box section design which keeps components rigidly aligned.
- The main case, equalizer bar saddle, and front cross member are heavy duty steel castings incorporated into highly loaded areas of the mainframe to improve stress distribution for improved durability.
- Top and bottom rails are made from continuous rolled sections which provide superior mainframe durability.
- The main case elevates the final drives well above the ground level work area to protect them from impact loads, abrasion and contaminants.
- The pivot shaft and pinned equalizer bar maintain track roller frame alignment and allow the roller frame to oscillate for smoother ride.
- Heavy cast saddle has a ribbed design which increases frame life.
- Tag-link blade mounting brings the blade closer to the machine for excellent maneuverability, machine balance and blade penetration.



Equalizer Bar End Pins

Proper grease lubrication on working surfaces can significantly extend component life and help lower maintenance cost.

- The remote lubrication for the D11T/D11T CD is performed from a service point conveniently located on the left hand fender and allows an operator or service technician to lubricate both the left-hand and right-hand equalizer bar end pin bearings and pins from one service point.
- Adding the optional autolube system allows the operator to tailor the amount of grease needed for each application by volume and service interval.

Engine

Power and reliability to help you move more.

C32 with ACERT Technology

The Cat C32 engine with ACERT Technology delivers power and reliability, ensuring top performance, high productivity, and exceptional service life.

- The C32 ACERT engine performs at full rated net power of 634 kW (850 hp) at 1,800 rpm with a high torque rise of 21 percent, allowing the D11T to doze through tough material.
- Matched with a high efficiency torque divider and electronically controlled power shift transmission, it will provide years of dependable service.

ADEM™ A4 Engine Controller

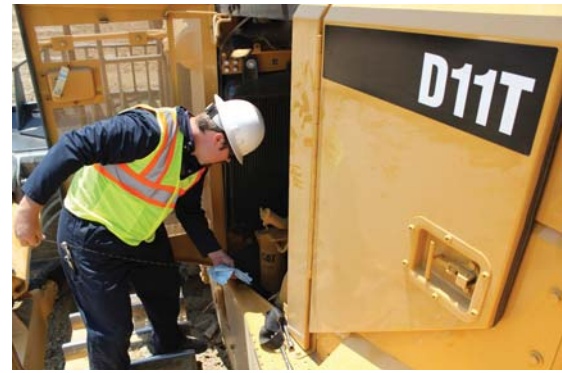
The ADEM A4 electronic control module manages fuel delivery and air flow to get the best performance per liter (gallon) of fuel used.

Air-to-Air Aftercooling

Air-to-air aftercooling on the D11T/D11T CD cools hot, compressed air coming out of the turbocharger providing cooler and denser air into the air intake system. Bringing more cool air into the engine increases power generation, lowers emissions, and improves fuel efficiency.

Service

Engine enclosures provide easy access to maintenance points within the engine compartment. Easier maintenance and repair is available through monitoring of key functions and logging of critical indicators.



Emissions Technology

Providing you reliable, integrated solutions.

The D11T/D11T CD is offered with two variations of the C32 engine with ACERT Technology. One will meet Tier 4 Final emission standards and will be required for sale in higher regulated countries. The other option will be capable of achieving levels equivalent to Tier 2 equivalent emission standards for lesser or non-regulated countries.

The D11T/D11T CD meets Tier 4 Final emission standards using:

- Cat NO_x Reduction System – captures and cools a small quantity of exhaust gas, then routes it into the combustion chamber where it drives down temperatures and reduces NO_x emissions.
- Diesel Oxidation Catalyst (DOC) – uses a chemical process called oxidation to condition exhaust gases to meet emission standards.
- MEUI™-C Fuel System – delivers increased fuel efficiency, while further reducing NO_x emissions.
- Ultra Low Sulfur Diesel (ULSD) Fuel and Low Ash Oil are required.

Cooling System

Superior cooling keeps you moving in the most demanding work conditions.

The hydraulic variable demand fan provides engine cooling capability that is matched to the ambient conditions. In cooler conditions, the fan turns at a slower speed consuming only the power required to cool the tractor systems, providing more power to the tracks to help you lower your cost per unit of material moved.



Aluminum Bar Plate Radiator

The cooling system uses a two-part radiator built with rugged, highly efficient aluminum bar plate cores. The aluminum bar plate construction aids durability and allows for higher heat transfer and superior corrosion resistance. It is only available on D11's with Tier 2 equivalent emission standards.

Mesabi Radiator

Copper cores improve cooling efficiency making the Mesabi radiator a good choice for high ambient temperature environments and heavy debris applications. The cooling tubes are oriented to allow open passages for dirt and debris to blow through the core. It is standard on Tier 4 Final machines – optional on other configurations.

Hydraulic Oil to Air Cooler

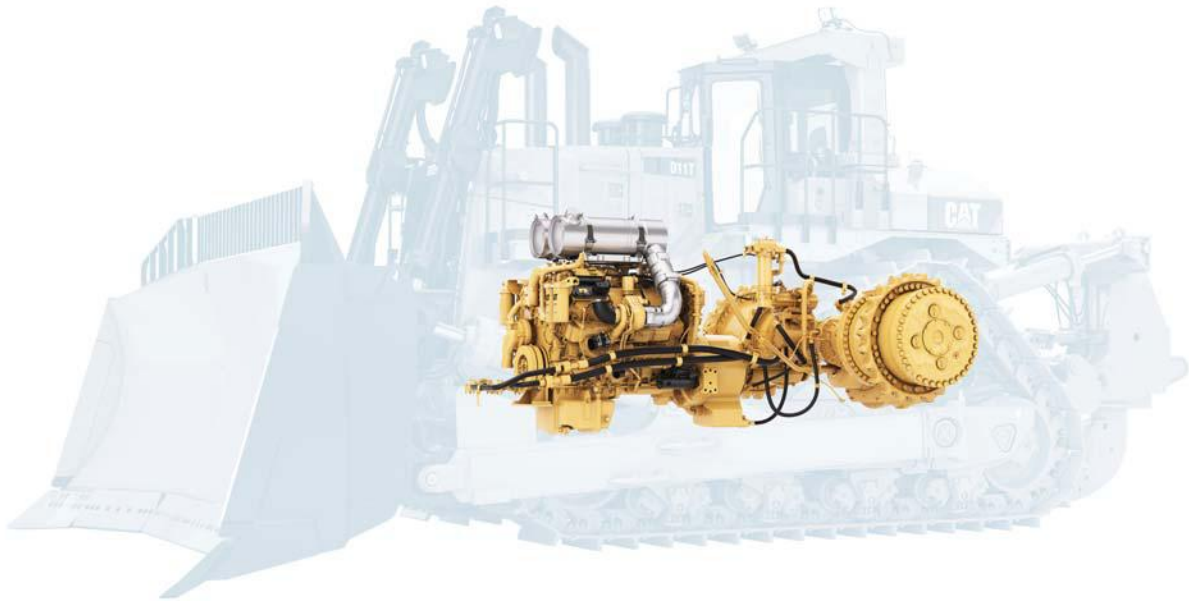
The new hydraulic oil to air cooler reduces hydraulic oil temperatures improving component durability and reliability.

Attachments

- Reversible cooling fan
- Mesabi radiator for lesser or non regulated countries with Tier 2 equivalent emission standards

Power Train

Power and control to efficiently move your material.



Torque Divider

The Cat D11T/D11T CD use a torque divider between the engine and the transmission to act as the hydrodynamic component, reducing the possibility of damage to the power train by dampening impact loads and vibrations.

- A single-stage torque converter with output torque divider sends 75 percent of engine torque through the converter and 25 percent through a direct drive shaft for greater driveline efficiency, higher torque multiplication, and ease of operation.

Planetary Powershift Transmission

Three speeds forward and three speeds reverse, utilizing large diameter, high-capacity, oil-cooled clutches.

- Modulation system permits smooth speed and direction changes.
- Modular transmission and bevel gear slide into rear case for easy servicing, even with ripper installed.
- Oil-to-water cooler for maximum cooling capacity.
- Forced oil flow lubricates and cools clutch packs to provide maximum clutch life.
- Controlled throttle shifting regulates engine speed during directional shifts for smoother operation and longer component life.

Steering Clutch and Brake

Fade resistant and adjustment free. The multi-disc, oil cooled steering clutches are hydraulically applied and electronically controlled. The brakes are applied by springs and hydraulically released for safe and reliable braking performance. Steering clutches, brakes and final drives can be removed as a unit from each side of the tractor.



Undercarriage

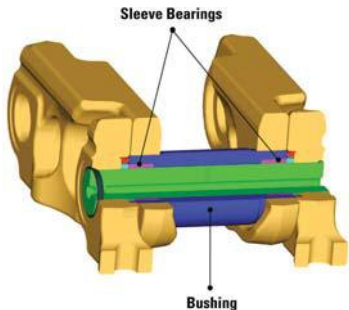
Designed for optimized machine balance and performance at your site.



The elevated sprocket and suspended undercarriage work together, increasing traction and giving the operator a smoother ride. These benefits translate into higher production and longer component life. This design transfers implement shock loads to the mainframe, so final drives, axles, and steering components are isolated from harsh impact loads commonly seen in large track-type tractor applications.



- Bogie suspension allows the track to conform to ground condition, providing up to 15% more ground contact, especially in hard, uneven terrain. Higher traction means less slippage, better balance, and a smoother ride.
- Integrated carrier roller mount is fabricated into the track roller frame making it easy to add the optional carrier roller in the field.
- Rollers and idlers feature symmetric Duo-Cone™ seals for long sealing life to prevent oil loss and dirt entry.
- Roller frames are tubular to resist bending and twisting, with added reinforcement.
- Sleeve bearing track is a unique track link assembly that maximizes life and minimizes downtime. It is designed to operate at higher speeds and greater loads.
- Sprocket segments have four bolt-on replaceable rim segments of abrasion resistant tough steel for long wear life.
- Track master link with single tooth and coarse thread bolts provide superior reliability and durability.



Operator Station

Designed for your comfort, convenience, and productivity.

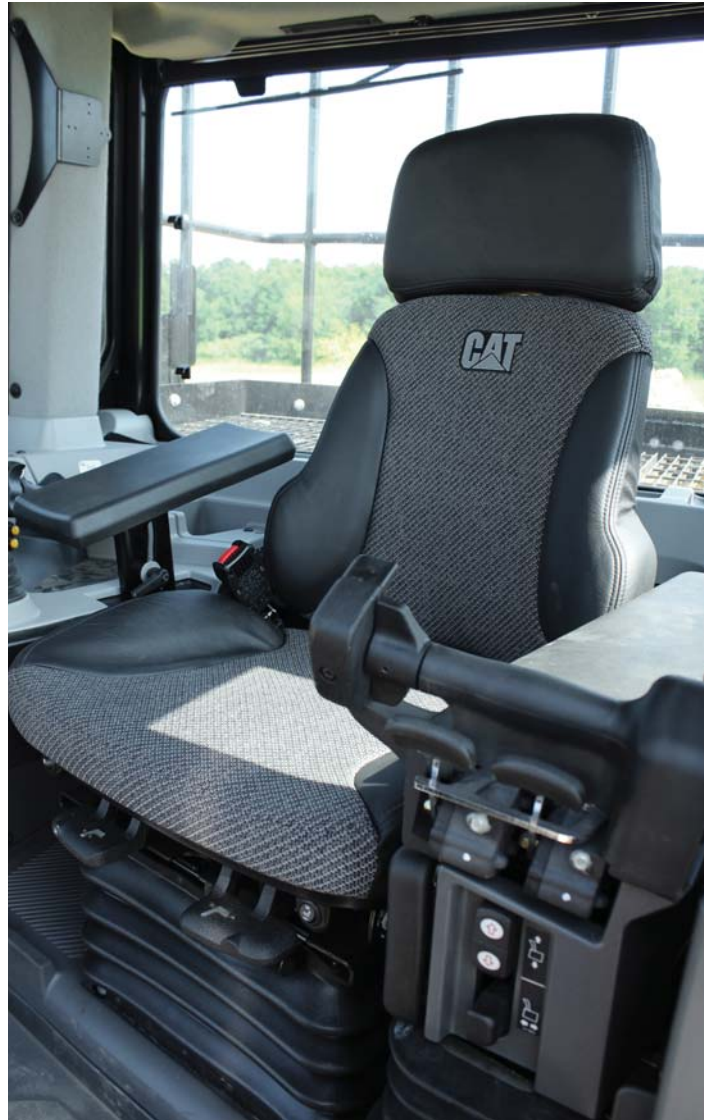


Implement and Steering Controls

The Finger Tip Controls (FTC) require less effort and are more comfortable for long periods of operation. Electronic controls eliminate direct mechanical connections to the power train, resulting in reduced noise and vibration inside the cab.

Low effort and comfortable to grip, the electronic dozer joystick gives the operator control of all dozer functions with the right hand.

A rigidly mounted handgrip on the electronic ripper control provides firm support for the operator even when ripping in the roughest terrain. Low effort thumb lever controls raising and lowering.



The D11T/D11T CD cab provides ergonomic controls, intuitive monitoring systems, and enhanced visibility. All of these features provide the D11T and D11T CD an industry leading operator environment that helps contribute to high levels of productivity, efficiency, and comfort.

- The operator station offers an exceptional viewing area. The tapered hood, notched fuel tank, and narrow ripper carriage give the operator a clear line of sight to front and rear work areas.
- The automatic climate control system automatically adjusts heating and air conditioning controls to maintain a consistent cab temperature throughout the day.
- The Cat Optimized Seat has a six way adjustment control for optimal support and comfort. Seat side bolsters restrain side-to-side movement, especially when working on side slopes.
- The combination dash mounted instrument cluster and the right console mounted Advisor Monitoring System display key machine operating information and give operators and service technicians insight into the machine's operation and maintenance needs.
- Slope and Side Slope Monitor is standard allowing operator to understand terrain better to improve dozing performance.

Additional features include:

- Entertainment radio ready and IPOD/MP3 player ready.
- Communications radio mounting.
- Power plug-in on the right side console (12-volt laptop and wireless phone compatible).
- Finishes that make the cab easy to clean.
- Optional heated and ventilated seat.



Integrated Technologies

Monitor, manage, and enhance job site operations.

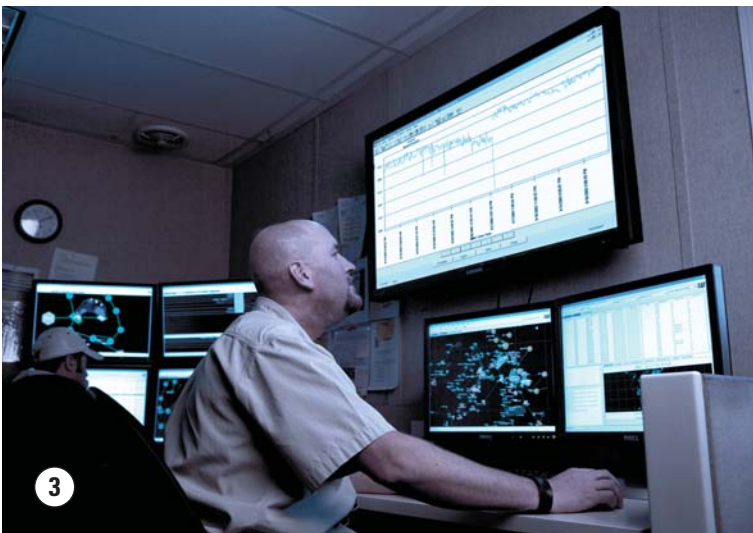
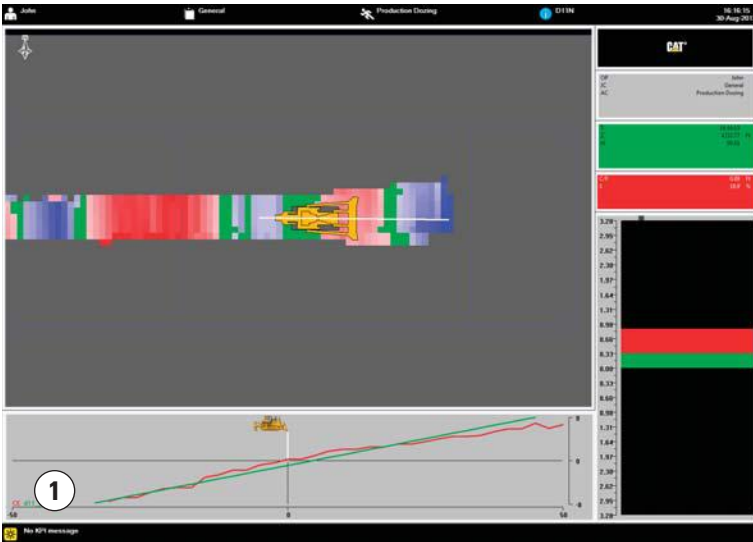


The D11T electronic systems have been completely integrated to function as one machine. This integration creates a smart machine and more informed operator maximizing the productivity of both.

- **VIMS™ 3G** – This system gathers historical trends, histograms, events and more through a wired connection for off-board analysis in applications such as VIMS PC.
- **Automated Blade Assist (ABA)** – Increases efficiency while reducing operator workload. ABA makes use of preset blade pitch positions. ABA is standard on the D11T/D11T CD.
- **Enhanced Auto Shift (EAS)** – EAS improves fuel efficiency by automatically selecting the optimal reverse gear and engine speed combination based upon power train load and desired ground speed.
- **Advisor Monitoring System (AMS)** – AMS is used to monitor and display operating characteristics, diagnostics and events, system operational totals, and modes of operation. It is also used to view and change operator preferences and parameters. AMS benefits both the operator and service technician to improve productivity and lower operating costs.
- **AutoCarry™ (optional)** – Provides automatic blade control during the carry segment of the dozing cycle by measuring ground speed and track slip with a robust Global Navigation Satellite System (GNSS) chassis mounted receiver. Blade position is changed automatically to keep slip at optimum level for best performance. It is intended to enhance the operator's productivity in high production earthmoving applications with carry distances over 30.5 m (100 ft).
- **Automatic Ripper Control (optional)** – Helps to reduce operator fatigue and decreases wear and tear on the machine. This is done by monitoring the tractor speed with the new ROPS mounted GNSS to automatically adjust engine speed and ripper depth to minimize track slip.
- **Cat Product Link™ (optional)** – Product Link enables the remote transmission of information about the location, operation, and condition of your equipment. Efficiently and effectively monitor performance of your assets to help keep your jobs on schedule, maintain equipment condition, and reduce the costs of owning and operating your fleet.

Cat MineStar

Configurable to suit your operation's needs.



Cat MineStar helps you manage everything from material tracking to sophisticated real-time fleet management, machine health systems, autonomous equipment systems and more. The capability sets: Fleet, Terrain, Detect, Health and Command can be used in combination or individually to allow your operation the flexibility and scalability it needs to be more productive, efficient and safe.

- **Fleet (optional)** gives mines a comprehensive overview of all operations with real-time machine tracking, assignment and productivity management.
- **Terrain for Grading (optional)** is a state-of-the art machine guidance system that delivers real-time productivity information to operators of mine site grading equipment. Terrain features an in-cab display, satellite navigation technology, machine-mounted components and fully integrated office software.
- **Detect (optional)** enhances operators' awareness of the environment around their equipment, helping alleviate potential safety hazards and increasing operator confidence.
- **Health (optional)** delivers critical event-based machine condition and operating data for your entire fleet, helping mines identify potential equipment problems long before failure.
- **Command for Dozing (optional)** removes the operator from the cab of the machine and enables remote control operation.
 - An over-the-shoulder operator console provides line-of-sight remote control operation.
 - A comfortable remote operator station offers both line-of-sight and non-line-of-sight remote control.

For more information visit cat.com/mining.

1) Terrain for Grading 2) Command for Dozing 3) Cat MineStar



Safety

Focused on keeping you safe.



Two Step Dozer Lift Cylinder Access Platform with Guard Rails

This feature provides access to the lift cylinders for cleaning or repairing the mounted mirrors and lights.

Powered Access System (optional)

The Cat powered access system provides excellent access and egress to and from the cab on the D11T/D11T CD, allowing easy access even in wet or freezing conditions.

- Operates off of power train hydraulic system.
- Rails on both sides of the ladder provide three-point contact.
- Warning alarms will sound if parking brake is released with ladder down or if the blade is raised with the ladder down.

Rear Platform and Guard Rails (optional)

The platform provides access to the rear window for cleaning and repairing rear mounted lights. The walkway is a modular design so varying lengths can be used across the back of the tractor to meet unique customer needs.

- Can be installed on 1911 L (505 gal) or 1778 L (470 gal) fuel tank.



Safety is Caterpillar's top priority. We constantly enhance product design and engineering to support customer safety goals and create safe working environments.

Operator Not Present Monitoring System

This feature locks out the power train and hydraulics under certain conditions to prevent unintentional movement when the operator is not in the seat.

Heavy Duty Steps and Handles

Strategically placed grab handles plus non-slip steps and decking aid operator getting on and off the machine.

Fender Guard Rails

Standard heavy duty guard rails are strategically placed to safeguard the operator outside of the cab.

Spectator Sound Reduction

The D11T offers three options to control operator and spectator sound levels. Options include:

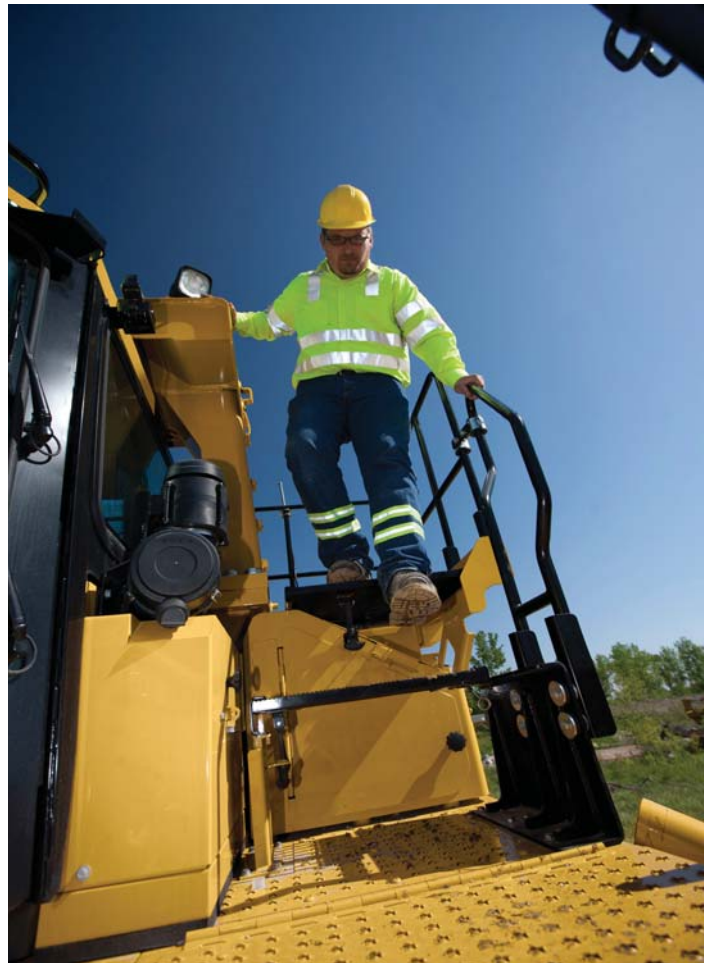
- Sound reducing idlers and sprocket segments.
- Full set of sealed bottom guards.
- Solid engine compartment enclosures and insulation.

When all three options are ordered, the D11T sound suppression package can deliver a 6 dB(A) (ISO 6395) reduction in the average spectator sound power level and a 4 dB(A) (ISO 6396) reduction in the average operator sound pressure level.

Anchorage Points

Anchorage points provide your people with a positioning system to perform repairs and maintenance. The D11T/D11T CD consist of fourteen (14) total anchorage points.

- Four (4) on lift cylinder spray shields
- Four (4) on top surface of hood
- Two (2) on front top of cab
- Four (4) on ROPS structure



Work Tools

Provide flexibility to match the machine to your job.

Bulldozers

All blades feature a strong box-section design that resists twisting and cracking. Blades are made of high tensile strength steel that stands up to the most demanding applications. Heavy moldboard construction and hardened bolt-on cutting edges and end bits add strength and durability.

- High-Capacity Universal Blade – Offers optimal capacity for moving big loads over long distances.
- Semi-Universal Blade – Built for tough applications where penetration is important.
- Dual Tilt – Allows the operator to optimize blade pitch angle.
- Cutting Edges and End Bits – Cutting edges are made of DH-2™ steel. End bits are made of DH-3™ steel for maximum service life in tough materials.
- Specialty blades, (coal blades and reclamation blades) are available from Cat Work Tools for applications requiring higher capacity blades for light materials.

Rippers

Rippers are made to penetrate tough material fast and rip thoroughly for use in a variety of materials.

- **Single-Shank Ripper** – Built for tough ripping conditions and greater ripping depth. Operator can adjust the shank depth from the seat using a single-shank pin puller. Large one-piece shank is available in deep ripping configuration.
- **Multi-Shank Ripper** – Generally for lighter duty ripping applications in less severe materials. Provides high levels of productivity. Tailors the tractor to the material by using one, two or three shanks.

CapSure™ Hammerless Ripper Tip and Shank Protector Retention System

The tip and shank protector are easily installed with a 180 degree turn of a ¾ inch ratchet. This simple installation means no hammering and therefore improved safety. It also means quicker change outs and less downtime.

Rear Counterweights

Rear counterweights provide proper tractor balance to maximize dozing production. It is recommended if not equipped with any other rear attachment.



Serviceability

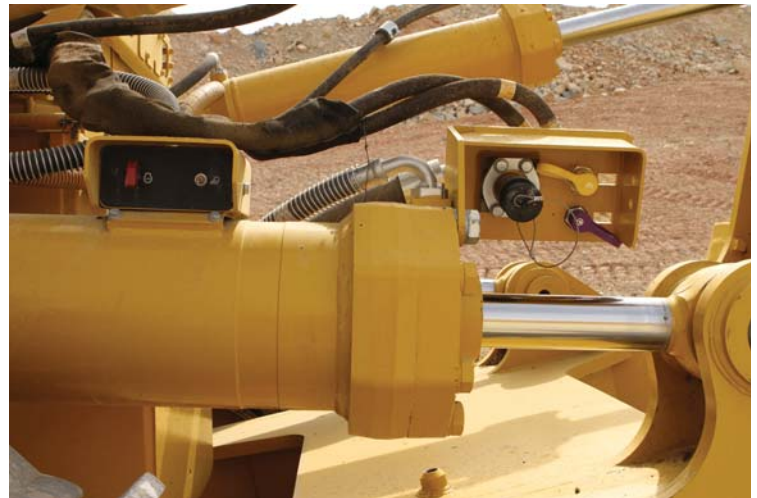
Reduce your service time to increase your uptime.

The modular design of the D11T provides excellent serviceability and turnaround time. A key advantage of the D11T's modular design is the ability to swap out a component with a pre-tested rebuilt or remanufactured unit that puts the machine back to work faster. So, reliability and overall uptime is high, repairs and upkeep costs are low. Modular design translates into more time on the job for the D11T compared to competition.

Ground Level Service Options

The ground level service center mounted on the ripper cylinder or counterweight provides easy access to:

- Secondary engine shutoff
- Access lighting switch
- Fast fuel
- High speed oil change (optional)



Ok-to-Start

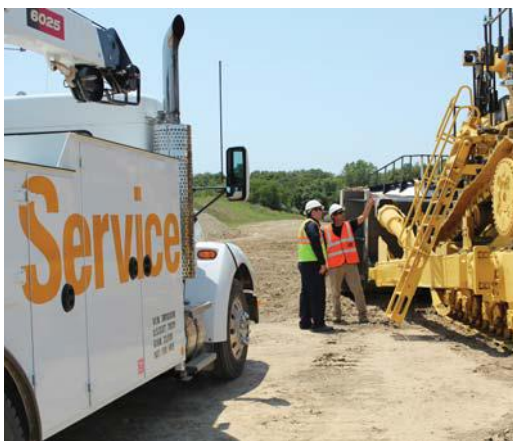
The Ok-to-Start strategy provides electronic fluid level verification at startup on the power train and engine oil systems. All information is available via the Advisor Monitoring System within the cab.

Fast Fuel System

The fast fuel system, with positive fuel shut-off to prevent fuel spillage, can reduce fuel waste and decrease downtime.

Customer Support

Your Cat dealer knows how to keep your mining machines producing.



Legendary Cat Dealer Support

From helping you choose the right machine to knowledgeable ongoing support, Cat dealers provide you with unmatched sales and service.

- Preventive maintenance programs and guaranteed maintenance contracts.
- Best-in-class parts availability.
- Operator training to help boost your profits.
- Genuine Cat Remanufactured parts.

Sustainability

Thinking about your legacy for future generations.



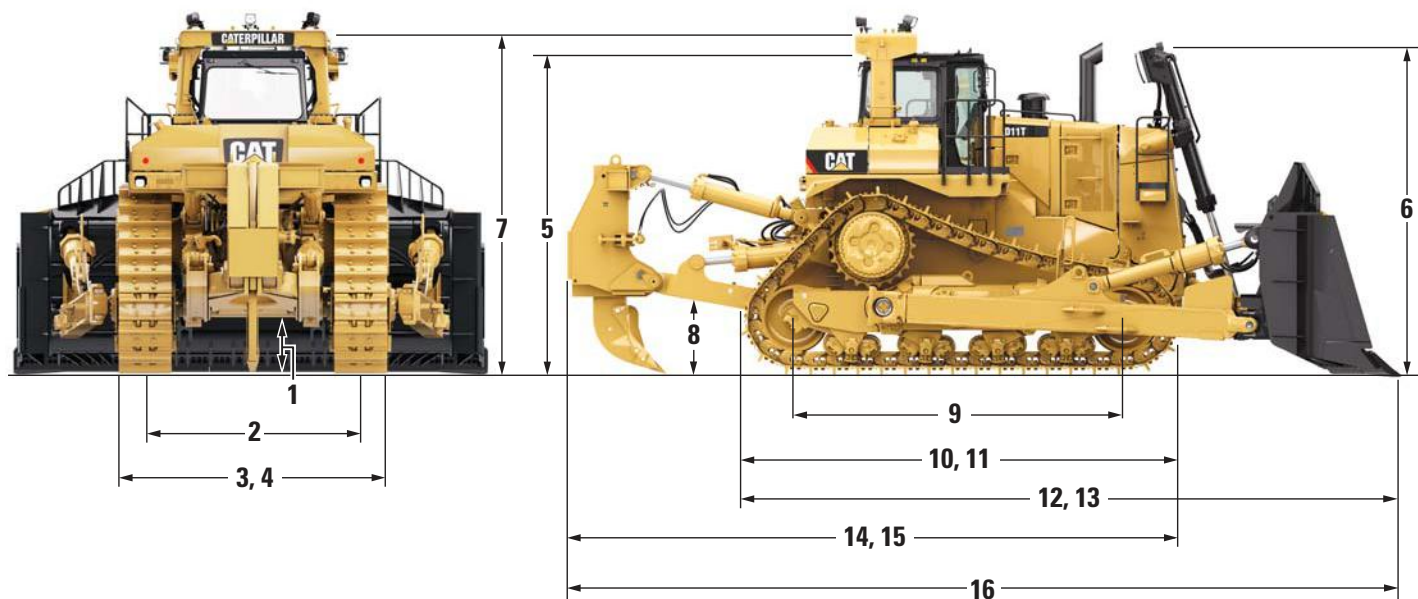
Sustainable development for Caterpillar means leveraging technology and innovation to increase efficiency and productivity with less impact on the environment and helping you do the same – enabling your business to become more productive by providing products, services and solutions that use resources more efficiently.

- We are making our dozers as quiet as possible so they have less impact on the communities where they operate. The D11T offers an optional sound suppression package that delivers up to a 6 dB(A) (ISO 6395) reduction in the average spectator sound power level and up to a 4 dB(A) (ISO 6396) reduction in the average operator sound pressure level.
- Ecology drains allow fluids to be easily captured for recycling or proper disposal.
- Major components of Cat dozers are designed to be rebuilt. The Cat Certified Rebuild program conserves natural resources by delivering a cost effective second and even third life for our machines.
- Fuel saving features like Enhanced Auto Shift help decrease overall fuel consumption.

D11T/D11T CD Dozer Specifications

Dimensions

All dimensions are approximate.



	D11T		D11T CD	
	mm	in	mm	in
1 Ground Clearance*	798	31.4	798	31.4
2 Track Gauge	2896	114.0	2896	114.0
3 Width without Trunnions (Standard Shoe)	3782	148.9	3806	149.8
4 Width over Trunnions	4379	172.4	4379	172.4
5 Height (FOPS Cab)*	4405	173.4	4405	173.4
6 Height (Top of Stack)*	4549	179.1	4549	179.1
7 Height (ROPS/Canopy)*	4723	185.9	4723	185.9
8 Drawbar Height (Center of Clevis)*	942	37.1	942	37.1
9 Length of Track on Ground	4444	175.0	4444	175.0
10 Overall Length Basic Tractor	6160	242.5	6160	242.5
11 Length Basic Tractor with Drawbar	6160	242.5	6160	242.5
12 Length with SU-Blade**	8579	337.8	8765	345.1
13 Length with U-Blade	8641	340.2	—	—
14 Length with Single-Shank Ripper	8107	319.2	8107	319.2
15 Length with Multi-Shank Ripper	8427	331.8	8427	331.8
16 Overall Length SU-Blade and SS Ripper**	10 525	414.4	10 712	421.7

*Includes grouser height for total dimensions on hard surfaces.

**CD Blade on D11T CD.

Note: D11T shown equipped with 710 mm (28 in) shoes.

D11T/D11T CD Dozer Specifications

Engine – Tier 2 Equivalent

Engine Model	Cat C32 ACERT	
Bore	145 mm	5.7 in
Stroke	162 mm	6.4 in
Displacement	32.1 L	1,959 in ³
Engine Power		
Gross SAE J1995*	695 kW	932 hp
ISO 14396	692 kW	928 hp
Net SAE J1349/ISO 9249	634 kW	850 hp

Engine – Tier 4 Final

Engine Model	Cat C32 ACERT	
Bore	145 mm	5.7 in
Stroke	162 mm	6.4 in
Displacement	32.1 L	1,959 in ³
Engine Power		
Gross SAE J1995*	681 kW	913 hp
ISO 14396	677 kW	908 hp
Net SAE J1349/ISO 9249	634 kW	850 hp

* Excludes all fan losses.

- Engine ratings apply at 1,800 rpm.
- Net power advertised is the power available at the flywheel when the engine is equipped with air cleaner, muffler, alternator, fan, and engine emissions controls as required.
- No derating required up to 3658 m (12,000 ft) altitude. High altitude attachment available for greater than 3658 m (12,000 ft).

Weights

Operating Weight	104 236 kg	229,800 lb
Shipping Weight	37 485 kg	82,640 lb
Operating Weight – CD	112 718 kg	248,500 lb
Shipping Weight – CD	37 802 kg	83,340 lb

- D11T Operating Weight: Includes blade tilt cylinders, coolant, lubricants, full fuel tank, ROPS, FOPS cab, 11U ABR bulldozer, single-shank ripper with pin-puller, fast fuel, 710 mm (28 in) ES shoes, and operator.
- D11T Shipping Weight: Base machine chassis with cab and pivot shaft. Doesn't include ROPS, ripper, blade, track, or roller frames.
- D11T CD Operating Weight: Includes lubricant, coolant, full fuel tank, 915 mm (36 in) extreme service shoes, 11 Carrydozer, single-shank ripper, and operator.
- D11T CD Shipping Weight: Base machine chassis with cab and pivot shaft. Doesn't include ROPS, ripper, blade, track, or roller frames.

Transmission

1 Forward	3.9 km/h	2.4 mph
2 Forward	6.8 km/h	4.2 mph
3 Forward	11.8 km/h	7.3 mph
1 Reverse	4.7 km/h	2.9 mph
2 Reverse	8.2 km/h	5.1 mph
3 Reverse	14 km/h	8.7 mph
Type	Planetary powershift	
Transmission Clutch Diameter	533 mm	21 in

Hydraulic Controls

D11T		
Pump Type	Gear-type pump	
Combined Pump Output (Implement)	620 L/min	164 gal/min
Tilt Pump Flow	155 L/min	41 gal/min
Bulldozer Relief Valve Setting	22 750 kPa	3,300 psi
Tilt Cylinder Relief Valve Setting	24 300 kPa	3,525 psi
Ripper (Lift) Relief Valve Setting	22 750 kPa	3,300 psi
Ripper (Pitch) Relief Valve Setting	22 750 kPa	3,300 psi

D11T CD

Pump Type – CD	Gear-type pump	
Pump Output (Implement) – CD	670 L/min	177 gal/min
Tilt Cylinder Flow – CD	250 L/min	66 gal/min
Carrydozer Relief Valve Setting	24 135 kPa	3,500 psi
Tilt Cylinder Relief Valve Setting – CD	24 825 kPa	3,600 psi
Ripper (Lift) Relief Valve Setting – CD	24 135 kPa	3,500 psi
Ripper (Pitch) Relief Valve Setting – CD	24 135 kPa	3,500 psi

- Pump output measured at 1,800 engine rpm and 6895 kPa (1,000 psi).
- Electro-hydraulic pilot valves assist operations of ripper and dozer controls.
- Complete system consists of pump, tank with filter, oil cooler, valves, lines, and control levers.

Undercarriage

Shoe Type	Extreme Service	
Width of Shoe	710 mm	28 in
Width of Shoe – CD	915 mm	36 in
Shoes/Side	41	
Grouser Height	102 mm	4 in
Pitch	318 mm	12.5 in
Ground Clearance*	777 mm	30.6 in
Track Gauge	2896 mm	114 in
Length of Track on Ground	4444 mm	175 in
Ground Contact Area	6.3 m ²	9,781 in ²
Ground Contact Area – CD	8.1 m ²	12,605 in ²
Track Rollers/Side	8	
Number of Carrier Rollers	1 per side (optional)	

- * Includes grouser height for total dimensions on hard surface.
- Sleeve Bearing Track with Positive Pin Retention.

D11T/D11T CD Dozer Specifications

Service Refill Capacities

Fuel Tank	1609 L	425 gal
Fuel Tank – Platform Ready	1778 L	470 gal
Fuel Tank – High Capacity	1911 L	505 gal
Cooling System	269 L	71.1 gal
Engine Crankcase*	103 L	27.2 gal
Power Train	344 L	90.9 gal
Final Drives (each)	47 L	12.4 gal
Roller Frames (each)	94 L	24.8 gal
Pivot Shaft Compartment	71 L	18.8 gal
Implement Hydraulic System Tank Only	223 L	58.9 gal

* With oil filters.

Track Roller Frame

Oscillation	351 mm	13.8 in
-------------	--------	---------

Steering and Brakes

Hydraulically applied multiple-disc Steering Clutch	440 mm	17.3 in
Spring applied multiple-disc Brake	612 mm	24.1 in

Standards

ROPS/FOPS

- Rollover Protective Structure (ROPS) meets the following criteria: SAE J1040 MAY94, ISO 3471:1994.
- Falling Objects Protective Structure (FOPS) meets the following criteria: ISO 3449:2005 LEVEL II.

Sound

- The operator Equivalent Sound Pressure Level (Leq) is 79 dB(A) when ISO 6396:2008 is used to measure the value for an enclosed cab. This is a dynamic cycle sound exposure level. The cab was properly installed and maintained. The test was conducted with the cab doors and the cab windows closed.
- The exterior sound pressure level for the standard machine measured at a distance of 15 m (49.2 ft) according to the test procedures specified in SAE J88 APR95, mid-gear-moving operation, is 87 dB(A).

D11T/D11T CD Dozer Specifications

D11T Bulldozer

Tag link dozer coupling brings blade closer for better balance and control.

Blade		11SU ABR	11U ABR	11CD
Blade capacity (SAE J1265)	m ³	27.2	34.4	43.6
	yd ³	35.6	45.0	57.0
Width with blade (over end bits)	mm	5580	6335	6706
	in	219.7	249.4	264.0
Blade height	mm	2753	2828	2955
	in	108.4	111.3	116.3
Digging depth				
Rack back	mm	—	—	688
	in	—	—	27.1
Nominal	mm	766	766	—
	in	30.2	30.2	—
Full dump	mm	—	—	1708
	in	—	—	67.2
Ground clearance				
Rack back	mm	—	—	1850
	in	—	—	72.8
Nominal	mm	1533	1533	—
	in	60.4	60.4	—
Full dump	mm	—	—	307
	in	—	—	12.1
Maximum tilt	mm	1184	1344	1800
	in	46.6	52.9	70.9
Weight*	kg	16 192	18 823	24 085
	lb	35,698	41,498	53,099
Total operating weight** (with blade and single-shank ripper)	kg	101 626	104 236	112 718
	lb	224,047	229,800	248,500

*Does not include hydraulic controls but includes blade cylinders.

**D11T includes blade and single-shank ripper, hydraulic controls, blade cylinders, coolant, lubricants, full fuel tank, 710 mm (28 in) shoes, ROPS, FOPS cab, and operator. D11T CD includes blade and single-shank ripper, hydraulic controls, blade cylinders, coolant, lubricants, full fuel tank, 915 mm (36 in) shoes, ROPS, FOPS cab, and operator.

D11T/D11T CD Dozer Specifications

Ripper

Redesigned ripper frame for improved visibility to ripper tip. Hydraulic tip adjustment cylinders vary shank angle to aid penetration and help lift and shatter rock.

		D11T			D11T CD	D11T CD
		Single-shank	Single-shank Deep Ripping Arrangement	+ Multi-shank Arrangement	Single-shank	+ Multi-shank Arrangement
Overall beam width	mm	—	—	3330	—	3340
	in	—	—	131.1	—	131.5
Maximum penetration force (shank vertical)	kN	350	382	335	381	365
	lb	78,683	85,877	75,311	85,652	82,055
Maximum penetration (standard tip)	mm	1612	2172	1100	1612	1100
	in	63.5	85.5	43.3	63.5	43.3
Pryout force (multi-shank ripper with one tooth)	kN	638	635	632	629	636
	lb	143,428	142,754	142,079	141,405	142,978
Maximum clearance raised (under tip, pinned in bottom hole)	mm	1111	873	1090	1111	1090
	in	43.7	34.4	42.9	43.7	42.9
Number of shank holes		4	3	2	4	2
Weight (with one shank)	kg	8817	9043	8674	12 461	11 790
	lb	19,438	19,936	19,123	27,472	25,993
with 11U ABR blade and ripper					with 11CD blade and ripper	
Total operating weight*	kg	104 236	104 552	104 093	112 718	112 047
	lb	229,800	230,498	229,486	248,500	247,021

*D11T includes blade and single-shank ripper, hydraulic controls, blade cylinders, coolant, lubricants, full fuel tank, 810 mm (32 in) shoes, ROPS, FOPS cab, and operator. D11T CD includes blade and single-shank ripper, hydraulic controls, blade cylinders, coolant, lubricants, full fuel tank, 915 mm (36 in) shoes, ROPS, FOPS cab, and operator.

+Includes one shank. Add 689 kg (1,519 lb) for each additional shank.

D11T/D11T CD Standard Equipment

Standard Equipment

Standard equipment may vary. Consult your Cat dealer for details.

ELECTRICAL

- Alternator, 150 amp
- Back up alarm
- Batteries, 12-volt (4), 200 amp-hour
- Converters, 12-volt, 10 amp and 20 amp
- Diagnostic connector
- Horn, forward warning
- Lights, engine compartment
- Lighting system, five (5) HID/ seven (7) Halogen
- Starting receptacle

OPERATOR ENVIRONMENT

- Advisor-electronic monitoring system
- Air conditioner and heater
- Armrest, adjustable
- Cab, FOPS
- Deactivation switch, hydraulic controls
- Decelerator, pedal
- Finger Tip Control (FTC) steering
- Governor switch, electronic
- Hydraulic system
 - Electronically controlled for bulldozer and ripper control
- Mirror, rearview
- Radio ready, entertainment
- ROPS rollbar
- Seat belt, retractable 76 mm (3 in)
- Seat, cloth, air suspension
- Wipers, intermittent, low and high speeds

POWER TRAIN

- C32 with ACERT Technology – Tier 4 Final
- C32 with ACERT Technology – Tier 2 equivalent for lesser or non regulated countries
 - 24-volt electric start
- Aftercoolers, air-to-air
- Air filters, dual with precleaner
- Aluminum bar plate cooling system
 - Serial number prefix: AMA and MDG
- Controlled throttle shifting
- Coolant, extended life
- Shift management
- Engine Idle Shutdown Timer
- Engine precleaner
- Ether starting aid, automatic
- Four planet, double-reduction planetary final drives
- Fuel priming pump, electric
- High speed oil changing system
- Hydraulic demand fan
- Mesabi radiator
 - Serial number prefix: JEL and JNS
- Mufflers, dual
- Parking brake, electronic
- Prescreener
- Separator, water/fuel
- Thermal shields
- Torque divider
- Transmission, powershift
 - (3F/3R speeds)

TECHNOLOGY

- Auto blade assist
- Enhanced auto shift
- Product Link (satellite)
- VIMS 3G

UNDERCARRIAGE

- Equalizer bar end pin grease fittings, remote
- Rollers and idlers, lifetime lubricated
- Sprocket rim segments, replaceable
- Suspension-type undercarriage, eight-roller tubular track roller frame
- Three bolt idler and roller caps
- Track adjusters, hydraulic
- Track guides
- Two-piece master links

SAFETY AND SECURITY

- Anchorage points
- Fender guard rails
- Heavy duty steps and handles
- Operator not present monitoring system
- Slope and side-slope monitor

OTHER STANDARD EQUIPMENT

- Bottom guards
- CD ROM parts book
- Dual-tilt blade control
- Ecology drains
- Engine enclosure
- Fluid sampling ports
- Grade control ready
- Ground level service center
- Ripper Hydraulics
- Vandalism, protection (8 caplocks)

Optional Equipment

Optional equipment may vary. Consult your Cat dealer for details.

GUARDS

- Bottom guards, sealed
- Bottom guards, partial
- Guard, undercarriage idlers
- Screens, grill door

OPERATOR STATION

- Air conditioner
 - Fender
 - ROPS
- Cab glass
 - 276 kPa (40 psi)
 - Dual pane impact resistant
- Heated and ventilated seat
- Operator arrangement
 - 5th percentile arrangement
 - Quick opening
- Powered precleaner
- Visibility arrangements (camera and mirrors)
 - Single camera
 - Dual camera
 - Mirrors
- Window shades

POWER TRAIN

- Engine coolant, arctic
- Engine precleaner, turbine
- Engine prelube
- Fan arrangements
 - Hydraulic screens
 - Reversing*
 - Reversing with screens*
- Final drives
 - Clamshell guard
- High altitude arrangement*
- Mesabi radiator
 - Serial number prefix: AMA and MDG
- Remote power train and engine high speed oil change system located at the ground level service center

UNDERCARRIAGE

- Carrier rollers
- Carrier rollers – cold weather
- Tracks, PPR, sealed and lubricated
 - 710 mm (28 in) Extreme Service*
 - 710 mm (28 in) Extreme Service abrasion resistant material*
 - 710 mm (28 in) Extreme Service trapezoidal hole*
 - 810 mm (32 in) Extreme Service
 - 810 mm (32 in) Extreme Service abrasion resistant material
 - 810 mm (32 in) Extreme Service trapezoidal hole
 - 810 mm (32 in) Extreme Service tall links
 - 810 mm (32 in) Extreme Service tall links abrasion resistant material
 - 810 mm (32 in) Extreme Service trapezoidal hole tall links
 - 915 mm (36 in) Extreme Service clipped
 - 915 mm (36 in) Extreme Service clipped abrasion resistant material
 - 915 mm (36 in) Extreme Service clipped trapezoidal hole
 - 915 mm (36 in) Extreme Service clipped tall links
- Undercarriage arrangements
 - Abrasion
 - Cold abrasion
 - Cold weather
 - Sound

BULLDOZER ATTACHMENTS

- 11CD Abrasion resistant blade
- 11CD No wear plate
- 11SU Abrasion resistant blade*
- 11SU Abrasion resistant blade, black*
- 11SU No wear plate*
- 11U Abrasion resistant blade*
- 11U Abrasion resistant blade, black*
- 11U No wear plate*

REAR ATTACHMENTS

- Counterweight, rear
- CapSure hammerless installation and positive retention system
 - Single shank
 - Multi shank
 - Single shank deep
- Drawbar, rear*
- Multi shank ripper
 - Carrydozer
 - Leach Pad*
 - Standard*
- Ripper lube
- Single shank ripper
 - Carrydozer/heavy
 - Push block*
 - Standard*

TECHNOLOGY

- Command for Dozing**
- Machine control, performance
 - AutoCarry
 - Automatic ripper control
- Terrain for Grading
 - With blade control

SAFETY AND SECURITY

- Access arrangement (ladder and platform)
- Fuel tank
 - Platform ready
 - Extra capacity
- Lights
 - LED
 - LED, high intensity
 - Warning, strobe
- Powered access ladder
- Rear access platform

OTHER ATTACHMENTS

- Automatic lubrication system
- Grease points, grouped
- Heater, engine coolant
- Heater, fuel
- Hydraulic lines, AutoCarry
- Hydraulic lines, screens
- Hydraulic lines, screens and AutoCarry

*Not available on D11T Carrydozer.

**Installed by dealer.

For more complete information on Cat products, dealer services, and industry solutions, visit us on the web at www.cat.com

AEHQ6785-03 (01-2016)
Replaces AEHQ6785-02

© 2016 Caterpillar
All rights reserved

Materials and specifications are subject to change without notice. Featured machines in photos may include additional equipment. See your Cat dealer for available options.

CAT, CATERPILLAR, SAFETY.CAT.COM, their respective logos, "Caterpillar Yellow" and the "Power Edge" trade dress, as well as corporate and product identity used herein, are trademarks of Caterpillar and may not be used without permission.

