

2021

# CAT<sup>®</sup> ATTACHMENTS COMPACT WHEEL LOADERS

903D - 920







Get more out of your equipment with Cat® attachments.

Cat® attachments are designed and tested on each model to maximize machine performance.

This brochure consists of work tool offerings for compact wheel loader models:

- 903D
- 906K/M, 907K/M, 908K/M
- 910, 914, 920, 914K, 918M, 920K

PART NUMBERS IN THIS BROCHURE ARE UP TO DATE AS OF JUNE 2021. PRICES IN THIS BROCHURE ARE ACCURATE AS OF APRIL 2021, BUT ARE SUBJECT TO CHANGE. PLEASE CONTACT YOUR LOCAL DEALER SALES REPRESENTATIVE TO REQUEST A CURRENT QUOTE.

## INDEX

<b>COUPLER TYPES</b> .....	4
<b>CHOOSING THE RIGHT COUPLER</b> .....	6
<b>INTERFACE BRACKET SOLUTIONS</b> .....	7
<b>BUCKET GROUND ENGAGING TOOLS</b> .....	8

### 903D ATTACHMENTS

<b>BUCKETS</b>	
GENERAL PURPOSE.....	13
LIGHT MATERIAL.....	13
MATERIAL HANDLING.....	14
<b>PALLET FORK CARRIAGE</b> .....	14
<b>FORKS</b> .....	14
<b>OTHER ATTACHMENTS</b> .....	15

### 906, 907, 908 ATTACHMENTS

<b>BUCKETS</b>	
GENERAL PURPOSE.....	18
INDUSTRIAL GRAPPLE.....	19
LIGHT MATERIAL.....	20
MULTI-PURPOSE.....	21
MULTI-PURPOSE HEAVY DUTY.....	22
CONCRETE SLAB.....	22
SIDE DISCHARGE.....	23

<b>FORKS</b>	
PALLET FORK CARRIAGE.....	24
PALLET FORKS.....	25
HEAVY DUTY FORK CARRIAGE.....	26
HEAVY DUTY FORKS.....	26
HYDRAULIC POSITIONER KIT.....	26

<b>AUGERS</b>	
DRIVES.....	27
BITS.....	27
ADAPTERS AND EXTENSIONS.....	29

<b>BALE GRABS</b> .....	30
-------------------------	----

<b>BALE SPEARS</b> .....	30
--------------------------	----

<b>BLADES</b>	
ANGLE.....	31
DOZER.....	31

<b>BROOMS</b>	
ANGLE.....	32
PICKUP.....	33
UTILITY.....	33

<b>COLD PLANERS</b>	
COLD PLANERS.....	34
COLD PLANER DRUMS.....	35

<b>VIBRATORY DRUM COMPACTORS</b> .....	36
--	----

<b>LANDSCAPE RAKES</b> .....	37
------------------------------	----

<b>LANDSCAPE TILLERS</b> .....	37
--------------------------------	----

<b>MIXING BUCKETS</b> .....	38
-----------------------------	----

<b>POWER BOX RAKES</b> .....	38
------------------------------	----

<b>MATERIAL HANDLING ARMS</b> .....	39
-------------------------------------	----

<b>WHEEL SAWS</b> .....	40
-------------------------	----

<b>SNOW ATTACHMENTS</b>	
PLOWES.....	41
PUSHES.....	42
MULTI V-PLOW.....	43
BACK DRAG EDGES.....	43
WINGS.....	44

<b>STUMP GRINDERS</b> .....	45
-----------------------------	----

<b>SILAGE DEFACERS</b> .....	45
------------------------------	----

<b>TRENCHERS</b> .....	46
------------------------	----

<b>CRUMBER ARMS</b> .....	47
---------------------------	----

### 910, 914, 918, 920 ATTACHMENTS

<b>BUCKETS</b>	
GENERAL PURPOSE.....	49
HIGH DUMP.....	51
FLAT FLOOR.....	52
LIGHT MATERIAL.....	53
MULTI-PURPOSE EXTREME DUTY / HEAVY DUTY.....	55

<b>FORKS</b>	
PALLET FORK CARRIAGES.....	57
PALLET FORKS.....	59
OFFSET FORKS.....	59

<b>BROOMS</b>	
ANGLE.....	61
PICKUP.....	62

<b>SNOW ATTACHMENTS</b>	
PLOWES.....	63
STRAIGHT PUSHES.....	65
BUCKET RECEIVER PUSHES.....	66
<b>INTERFACE BRACKET SOLUTION</b> .....	67
<b>ADAPTER HOOKS</b> .....	67

Abbreviations:

- BOCE: Bolt-on cutting edge
- WOT: Weld-on teeth
- BOT: Bolt-on teeth
- NS: Non-swinging
- NF: Non-floating
- S: Swinging
- F: Floating
- CWL: Compact Wheel Loader
- : Not Applicable

## NOTE

Pages with **GRAY** bars at the bottom refer to Model 903D.

Pages with **ORANGE** bars at the bottom refer to Models 906K/M, 907K/M, 908K/M.

Pages with **YELLOW** bars at the bottom refer to Models 910, 914, 920, 914K, 918, 920K.

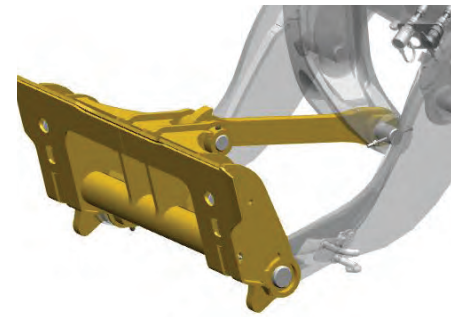


Types of Couplers

# Cat Coupler Solutions

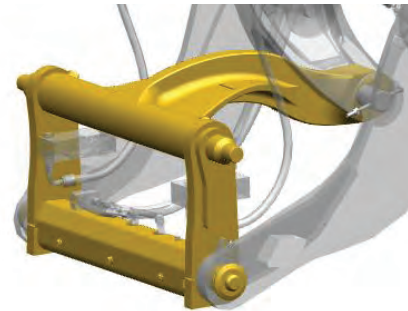
**SSL**

The universal skid steer loader (SSL) coupler allows the use of many Cat skid steer loader work tools. Using either the standard or high flow auxiliary line hydraulic option, this coupler allows the M Series Compact Wheel Loaders to work with skid steer loader attachments.  
– Also known as Vertical Pin Coupler.



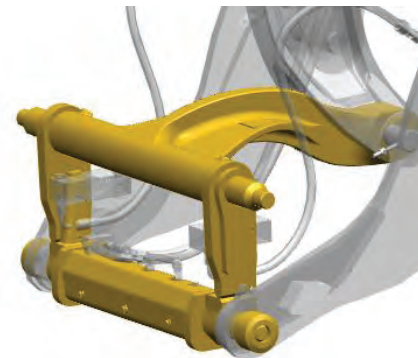
**Horizontal Pin Lock (L30)**

This coupler is compatible with many work tools from other manufacturers. Yields optimum performance for compatible machines due to zero offset. This optimizes the load capacity and breakout forces.  
– Also known as HPL-ISO Coupler Horizontal, Volvo or Volvo L35 coupler on Cat compact wheel loaders.



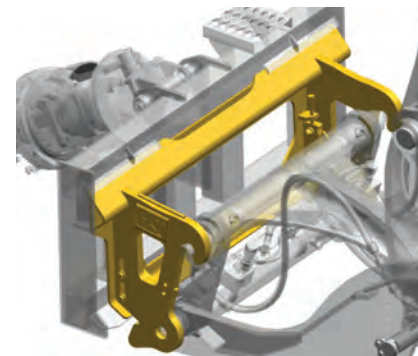
**Horizontal Pin Lock-Atlas**

This coupler is an evolution of the existing HPL-ISO coupler and thus has the inbuilt durability and robust design that has been in the market place for many years. This design gives a zero offset coupler from the machine, similar to the HPL-ISO which optimizes the load capacity and breakout forces versus some Aftermarket Equipment Manufacturer solutions that are less integrated.  
– Also known as Atlas, HPL-A coupler.



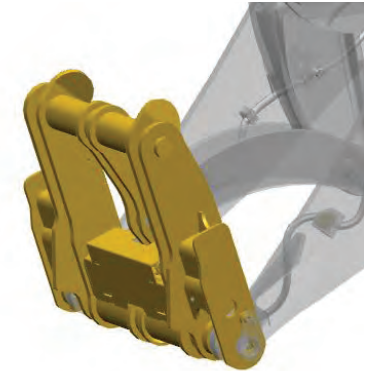
**Interface Bracket Solution**

Additional HPL (L35) to SSL converter bracket adds even more versatility to these machines, enabling a defined range of SSL interface attachments to be used. An easy solution to maximize machine utilization into different segments and applications.



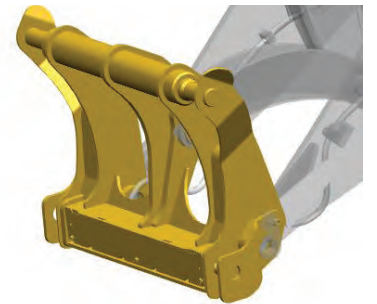
**IT**

Cat designed coupler for mixed fleets. Combine different machine products (backhoe loader, compact wheel loader and telehandler) with the same coupler for specific attachments. This is the optimized coupler for compact wheel loader performance.  
– Also known as Integrated Tool Carrier Coupler, Standard Coupler, IT14/28.



**Horizontal Pin Lock - Wide (L50)**

This coupler is designed to ISO 23727 international design standards. It will pick up a range of compact wheel loader attachments. It also facilitates sales of compact wheel loaders in mixed fleets. The coupler along with the profiled loader arms have been designed to give maximum visibility to the attachment, making it easier and safer to engage and disengage attachments. A simple joystick function allows for easy engagement and disengagement of the locking pins.  
– Also known as Wide Coupler, Volvo, or Volvo L50 / Wide size.



**Fusion™**

The Cat patented Fusion™ coupler on compact wheel loaders enables use of the Fusion range of attachments shared with the small wheel loader. Optimal visibility in combination with the machine linkage, makes it easier and safer to engage and disengage attachments. The advanced hydraulic vertical wedge lock creates a tight, rattle-free fit, eliminating play and wear resulting in a long service life.



**No Coupler Solution – Pin On**

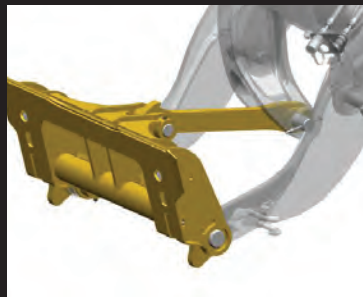
No coupler solution. Allows for maximum usage of machine lifting capabilities in the application. Often used when machine is 100% dedicated to the task at hand.



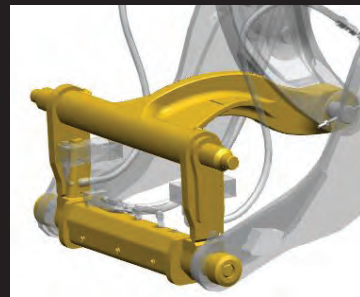


# Choose the Right Coupler for Your Machine

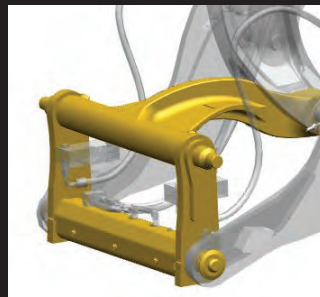
## 903D, 906M, 907M, 908M



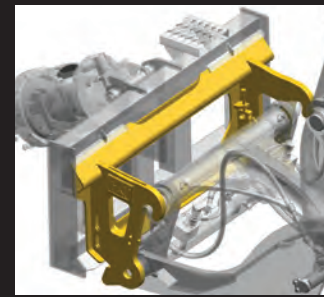
**SSL Coupler**  
903D, 906, 907, 908



**Horizontal Pin Lock -  
Atlas Coupler**  
906, 907, 908



**Horizontal Pin Lock  
(L30) Coupler**  
906, 907, 908



**Interface Bracket  
Solution**  
906, 907, 908

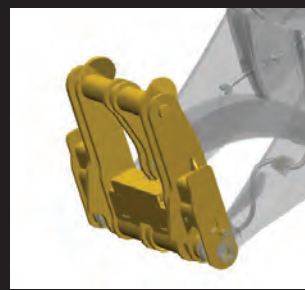
## 910, 914, 918, 920



**Pin On Coupler**  
910, 914, 918, 920



**Fusion Coupler**  
910, 914, 918, 920



**IT Coupler**  
910, 914, 918, 920



**Horizontal Pin Lock -  
Wide (L50)**  
910, 914, 918, 920

## Interface Bracket Solution

Additional HPL (L35) to SSL converter bracket adds even more versatility to these machines, enabling a defined range of SSL interface attachments to be used. An easy solution to maximize machine utilization into different segments and applications.



### ADAPTER INTERFACE, HPL (L35) TO SSL

Part Number	Weight lb (kg)	Description	Price
471-8330*	143 (65)	Adapter Bracket	\$
494-6852*	—	Rack Back Stop Kit	\$
377-1579	—	Harness Conversion, 14 Pin to 8 Pin	\$
371-3725	—	Kit KS, WKTL Conversion to 5-Lines	\$

\*Cannot be used with SSL buckets. Conversion kits such as rack back stop and harness are required for certain attachments. See your local Cat dealer for full details.





## Ground Engaging Tools (GET)

Cat ground engaging tools feature a variety of wear-resistant solutions to suit all applications.



GET for 903D, 906, 907, 908

### GROUND ENGAGING TOOLS (GET) – CUTTING EDGE 903D

Bucket Width in (mm)	Description	Part Number	Price	Bolts (Qty 13)	Price	Nuts (Qty 13)	Price
70 (1780)	Cutting Edge, bolt-on, 1 piece	132-4723	\$	159-2953	\$	8T-4778	\$
74 (1880)	Cutting Edge, bolt-on, 1 piece	132-4724	\$	159-2953	\$	8T-4778	\$

### GROUND ENGAGING TOOLS (GET) – CUTTING EDGE 906, 907, 908

Bucket Width in (mm)	Description	Part Number	Price	Bolts (Qty 13)	Price	Nuts (Qty 13)	Price
70 (1780)	Standard Single Piece Cutting Edge	132-4723	\$	159-2953	\$	8T-4778	\$
74 (1880)	Standard Single Piece Cutting Edge	132-4724	\$	159-2953	\$	8T-4778	\$
80 (2035)	Standard Single Piece Cutting Edge	135-9397	\$	159-2953	\$	8T-4778	\$
81 (2060)	Standard Single Piece Cutting Edge	132-4725	\$	159-2953	\$	8T-4778	\$

### TIPS 903D, 906, 907, 908

Part Number	Description	Price	Bolts (Qty 7)	Price	Nuts (Qty 7)	Price
132-4720*	General Duty J200	\$	246-4349	\$	8T-4778	\$

\*No adapters required, teeth bolt directly to bucket





# COMPACT WHEEL LOADERS ATTACHMENTS | 2021

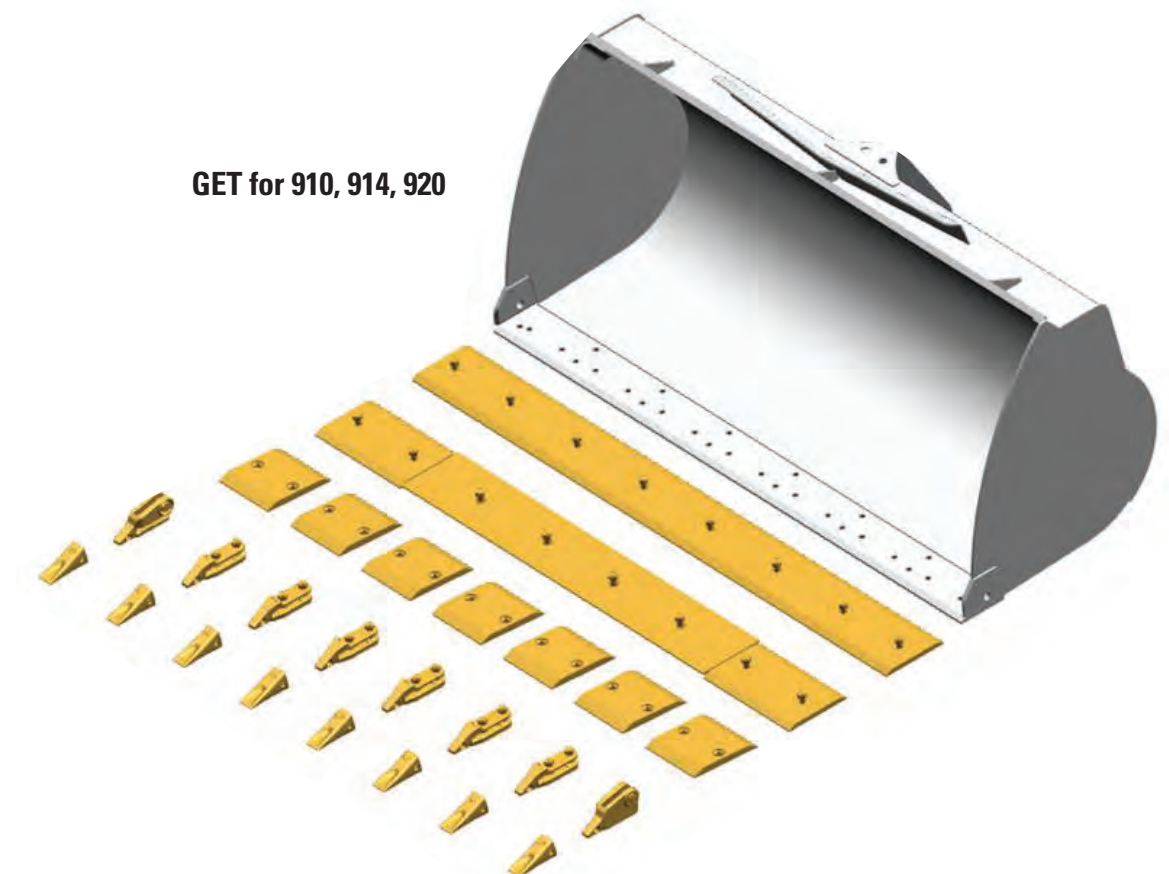
# COMPACT WHEEL LOADERS ATTACHMENTS | 2021

GROUND ENGAGING TOOLS (GET) – CUTTING EDGES				910, 914, 920
	Bucket Width – in (mm)			
	91 (2300)	95 (2400)	100 (2550)	
<b>Description</b>	<b>Standard Single Piece</b>	<b>Standard Single Piece</b>	<b>Standard Single Piece</b>	
Part Number	521-8053	436-9689	494-5878	
Price	\$	\$	\$	
<b>Description</b>	<b>Standard 3 Piece*</b>	<b>Standard 3 Piece*</b>	<b>Standard 3 Piece*</b>	
Center	4T-2911	9W-8620	-	
End	4T-2918 (QTY 2)	4T-2914 (QTY 2)	-	
Price	\$	\$	\$	
<b>Description</b>	<b>Segmented**</b>	<b>Segmented**</b>	<b>Segmented**</b>	
Standard	128-2873 (QTY 7)	128-2873 (QTY 7)	-	
Price	\$	\$	\$	
<b>Description</b>	<b>Hardware</b>	<b>Hardware</b>	<b>Hardware</b>	
Part Number	4F-7827 (Bolts - QTY 8, 14 for Segmented)	4F-7827 (Bolts - QTY 8, 14 for Segmented)	4F-7827 (Bolts - QTY 8)	
Price	\$	\$	\$	
Nuts	2J-3506 (Nuts - QTY 8, 14 for Segmented)	2J-3506 (Nuts - QTY 8, 14 for Segmented)	2J-3506 (Nuts - QTY 8)	
Price	\$	\$	\$	
<b>Description</b>	<b>Base Edge</b>	<b>Base Edge</b>	<b>Base Edge</b>	
Part Number	206-2366	5G-8342	492-6828	
Price	\$	\$	\$	
<b>Description</b>	<b>BOCE Group (1 piece)</b>	<b>BOCE Group (1 piece)</b>	<b>BOCE Group (1 piece)</b>	
Part Number	527-8510	470-4537	494-5877	
Price	\$	\$	\$	
<b>Description</b>	<b>BOCE Group (3 piece)</b>	<b>BOCE Group (3 piece)</b>	<b>BOCE Group (3 piece)</b>	
Part Number	-	9W-8618	-	
Price	\$	\$	\$	
<b>Description</b>	<b>Segment Group</b>	<b>Segment Group</b>	<b>Segment Group</b>	
Part Number	-	9W-8619	-	
Price	\$	\$	\$	

\*Not recommended

\*\*For use with adapters and tips

TIPS			910, 914, 920
Part Number	Description		Price
1U-3202	General Duty (Long) J200		\$
8E-6208	Pin		\$
8E6209	Retainer		\$
9J-4207 (QTY 6)	Adapter (CTR)		\$
1U-2208	Adapter (LH)		\$
1U-2209	Adapter (RH)		\$
5J-4771 (QTY 12)	Bolt (10 x 2.75)		\$
6F-0196 (QTY 2)	Bolt (9 x 2.75)		\$
2J3505 (QTY 2)	Nut		\$
2J3506 (QTY 12)	Nut		\$
9W-9642	Set of 8 Bolt-on Adapters (Includes Hardware)		\$
100-7924	Set of 8 Long Tips (Includes Hardware)		\$
4T-1204	Weld On Adapter		\$





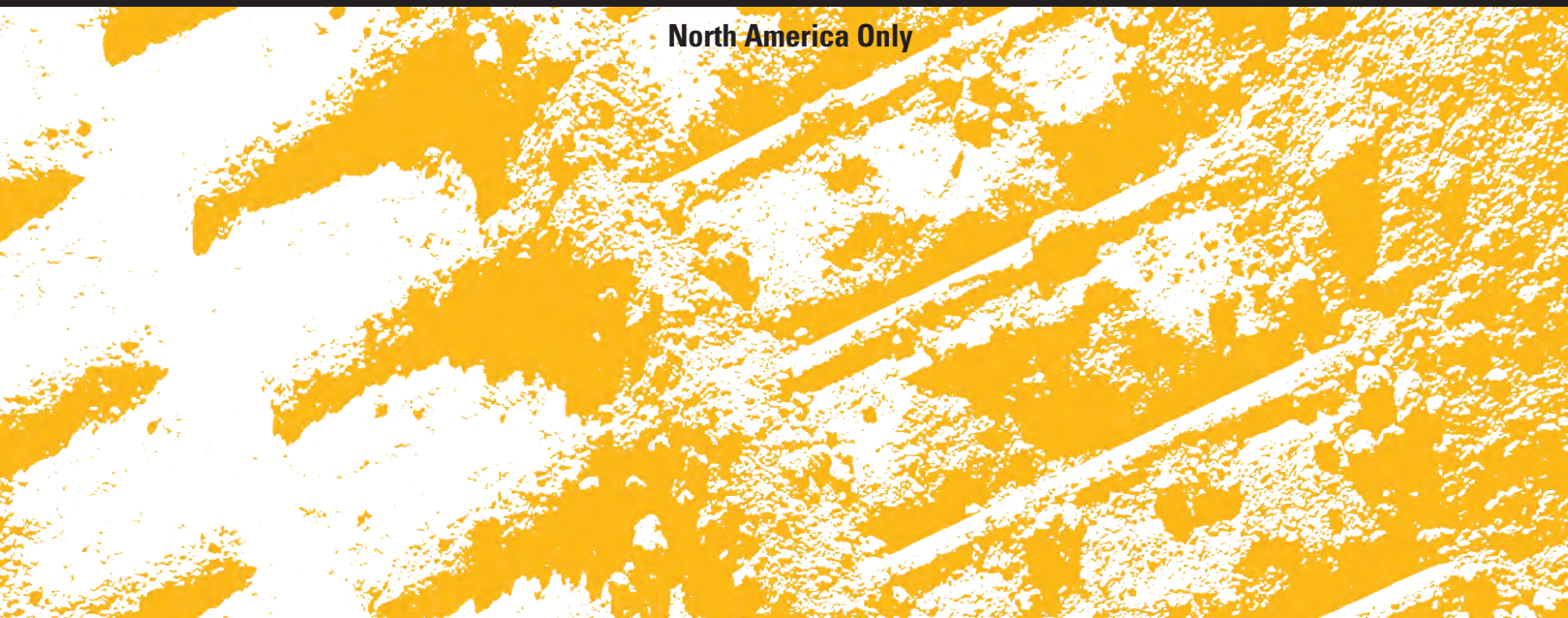
# COMPACT WHEEL LOADERS ATTACHMENTS | 2021

# COMPACT WHEEL LOADERS ATTACHMENTS | 2021



## 903D

North America Only



**General Purpose Buckets** have been designed to optimize performance of the Cat compact wheel loader when loading, carrying, leveling, grading and dumping in a wide variety of applications and materials.



General Purpose Bucket

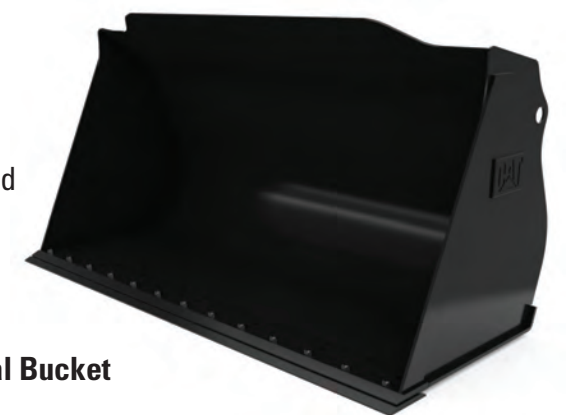


### GENERAL PURPOSE BUCKETS

SSL

Part Number	Capacity yd <sup>3</sup> (m <sup>3</sup> )	Weight lb (kg)	Length in (mm)	Width in (mm)	Height in (mm)	Edge Type	Price
276-5715	0.8 (0.6)	686 (311)	31 (790)	71 (1790)	32 (823)	BOCE	\$
384-1700	1.0 (0.8)	814 (369)	34 (851)	74 (1890)	36 (922)	BOCE	\$

**Light Material Buckets** have higher volume capacities to handle less dense materials such as top soil, fertilizer, wood chips and many more.



Light Material Bucket

### LIGHT MATERIAL BUCKET

SSL

Part Number	Capacity yd <sup>3</sup> (m <sup>3</sup> )	Weight lb (kg)	Length in (mm)	Width in (mm)	Height in (mm)	Edge Type	Price
261-1368	1.3 (1)	862 (391)	39 (991)	74 (1890)	40 (1003)	BOCE	\$



**Material Handling Buckets** are designed for loading, carrying, dumping and handling light, loosely packed material in agricultural and landscaping applications.



Material Handling Bucket

MATERIAL HANDLING BUCKETS							SSL
Part Number	Capacity yd <sup>3</sup> (m <sup>3</sup> )	Weight lb (kg)	Length in (mm)	Width in (mm)	Height in (mm)	Edge Type	Price
472-2546	1.4 (1.1)	805 (365)	41 (1031)	86 (2185)	30 (757)	BOCE	\$
472-2548	1.6 (1.3)	882 (400)	41 (1031)	98 (2490)	30 (757)	BOCE	\$
469-0774	1.7 (1.3)	921 (418)	41 (1031)	104 (2642)	30 (757)	BOCE	\$

**Pallet Fork Carriages** are used for moving palletized loads on construction sites, handling bagged fertilizer and seed at landscaping and nursery sites.



Pallet Fork Carriage and Fork

FORK CARRIAGE – PALLET							SSL
Part Number	Class	Weight lb (kg)	Width in (mm)	Length in (mm)	Height in (mm)	Price	
261-1315*	2	190 (86)	46 (1169)	9.3 (235)	19 (488)	\$	

\*Requires 2 x Class 2 Offset forks/tines

FORKS – CLASS 2							
Part Number	Weight lb (kg)	Tine Length in (mm)	Overall Length in (mm)	Width in (mm)	Thickness in (mm)	Height in (mm)	Price
195-6943*	92 (42)	36 (914)	39 (979)	4 (100)	1.6 (40)	23 (541)	\$
195-6942*	104 (47)	42 (1070)	45 (1139)	4 (100)	1.6 (40)	21 (541)	\$

\*Order two forks for a complete set. For use with Class 2 carriage.

## Explore More 903D Attachments

### SKID STEER LOADER ATTACHMENTS COMPATIBLE WITH 903D

Attachment
Augers, Standard Flow
Blades, Angle
Blades, Dozer
Brooms, Angle
Brooms, Utility
Brooms, Pickup
Buckets: General Purpose, Light Material, Multi-Purpose, Industrial, Skeleton
Mixing Buckets and Side Discharge Buckets
Cold Planers, Standard Flow
Carriages and Forks
Grapple Buckets, Grapple Forks, Grapple Rakes
Landscape Rakes
Landscape Tillers
Mechanical Handling Arms
Power Box Rakes
Snow Blowers, Standard Flow
Snow Plows
Stump Grinders, Standard Flow
Trenchers, Standard Flow
Vibratory Drum Compactors

For more skid steer loader attachments for the 903D, see the 906, 907, 908 following pages, color-coded **ORANGE** at the bottom.

Please note that some standard flow skid steer loader tools are compatible with 903D. Some attachments may need additional requirements for 903D. Contact your Cat dealer for full details.



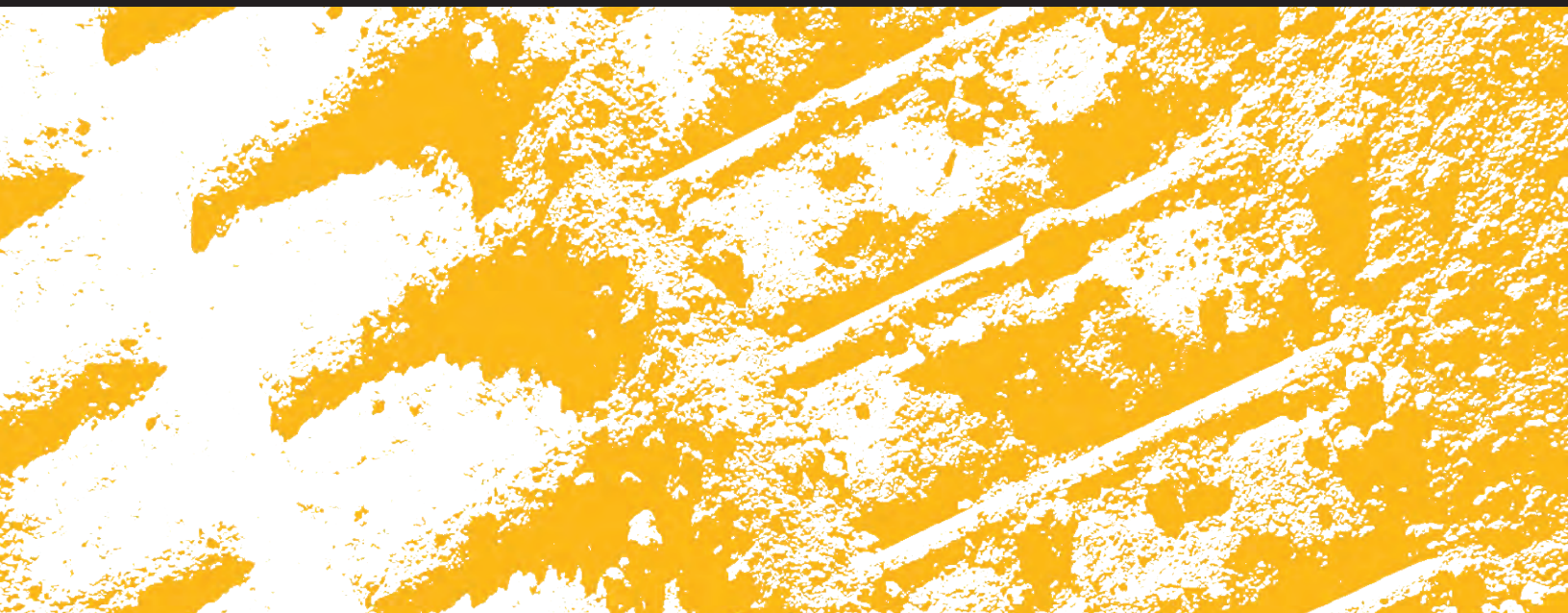


**COMPACT WHEEL LOADERS  
ATTACHMENTS | 2021**

**COMPACT WHEEL LOADERS  
ATTACHMENTS | 2021**



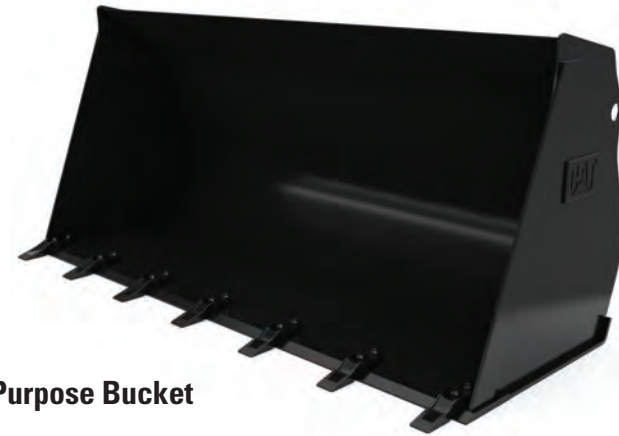
**906 – 908**





# COMPACT WHEEL LOADERS ATTACHMENTS | 2021

**General Purpose Buckets** have been designed to optimize performance of the Cat compact wheel loader when loading, carrying, leveling, grading and dumping in a wide variety of applications and materials.



General Purpose Bucket

GENERAL PURPOSE BUCKETS								SSL
Part Number	Capacity yd <sup>3</sup> (m <sup>3</sup> )	Weight lb (kg)	Length in (mm)	Width in (mm)	Height in (mm)	Optimal Compatibility	Edge Type	Price
384-1700	1.0 (0.8)	814 (369)	34 (851)	74 (1890)	36 (922)	All	BOCE	\$
284-9279	1.2 (0.9)	869 (394)	36 (923)	74 (1890)	37 (935)	906	BOCE	\$
284-9280	1.2 (0.9)	822 (373)	39 (992)	74 (1880)	36 (919)	906	BOT	\$
312-0122	1.3 (1.0)	908 (412)	36 (921)	81 (2045)	37 (935)	907	BOCE	\$
312-0123	1.3 (1.0)	864 (392)	39 (990)	80 (2036)	36 (920)	907	BOT	\$
286-0581	1.4 (1.1)	979 (441)	39 (981)	82 (2080)	38 (953)	908	BOCE	\$
286-0582	1.4 (1.1)	924 (419)	41 (1050)	81 (2060)	37 (937)	908	BOT	\$

GENERAL PURPOSE BUCKETS								HPL (L30)
Part Number	Capacity yd <sup>3</sup> (m <sup>3</sup> )	Weight lb (kg)	Length in (mm)	Width in (mm)	Height in (mm)	Optimal Compatibility	Edge Type	Price
284-9281	1.2 (0.9)	870 (395)	36 (903)	74 (1890)	37 (935)	906	BOCE	\$
284-9282	1.2 (0.9)	844 (383)	38 (972)	74 (1880)	36 (919)	906	BOT	\$
311-7776	1.3 (1.0)	910 (413)	36 (920)	81 (2045)	37 (934)	907	BOCE	\$
311-7777	1.3 (1.0)	866 (393)	38 (970)	80 (2036)	36 (918)	907	BOT	\$
286-0584	1.4 (1.1)	980 (445)	38 (960)	82 (2080)	38 (953)	908	BOCE	\$
286-0583	1.4 (1.1)	922 (418)	41 (1030)	81 (2060)	37 (937)	908	BOT	\$
472-5370*	1.7 (1.3)	1019 (462)	42 (1066)	82 (2080)	39 (984)	908	BOCE	\$
472-5371*	1.7 (1.3)	961 (436)	45 (1136)	81 (2060)	38 (968)	908	BOT	\$

\*Max density: 3527 lb (1600 kg)

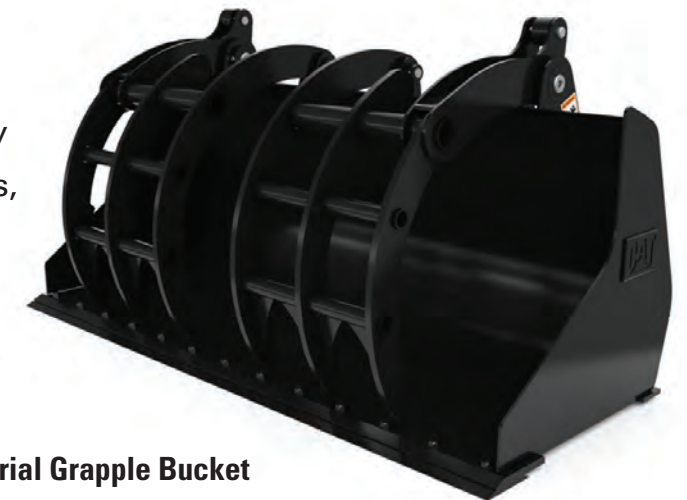
# COMPACT WHEEL LOADERS ATTACHMENTS | 2021

GENERAL PURPOSE BUCKETS								ATLAS HPL-A
Part Number	Capacity yd <sup>3</sup> (m <sup>3</sup> )	Weight lb (kg)	Length in (mm)	Width in (mm)	Height in (mm)	Optimal Compatibility	Edge Type	Price
470-4541	1.2 (0.9)	816 (370)	36 (903)	74 (1880)	37 (935)	906	BOCE	\$
470-4542	1.2 (0.9)	816 (370)	39 (972)	74 (1880)	36 (919)	906	BOT	\$
470-4545	1.4 (1.1)	919 (417)	38 (960)	81 (2060)	38 (953)	907	BOCE	\$
470-4546	1.4 (1.1)	919 (417)	41 (1030)	81 (2060)	37 (937)	907	BOT	\$
481-4539*	1.7 (1.3)	957 (434)	45 (1136)	81 (2060)	38 (968)	908	BOT	\$
481-4540*	1.7 (1.3)	957 (434)	42 (1066)	81 (2060)	39 (984)	908	BOCE	\$

\*Max density: 3527 lb (1600 kg)

## Industrial Grapple Bucket

Designed to handle bulky, irregularly shaped objects. Ideal for railroad ties, trees, large rocks, brush, industrial and demolition scrap, as well as recycling debris.



Industrial Grapple Bucket

INDUSTRIAL GRAPPLE BUCKET								SSL
Part Number	Weight lb (kg)	Length in (mm)	Width in (mm)	Height in (mm)	Optimal Compatibility	Required Hydraulics	Edge Type	Price
368-2500	1295 (587)	41 (1028)	82 (2080)	42 (1054)	All	3rd Function	BOCE	\$



# COMPACT WHEEL LOADERS ATTACHMENTS | 2021

# COMPACT WHEEL LOADERS ATTACHMENTS | 2021

Light Material Buckets



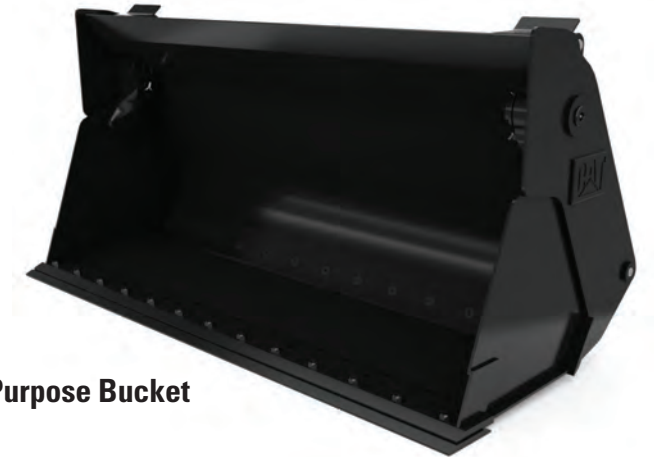
Light Material Bucket

**Light Material Buckets** leverage many of the same features found in the general purpose bucket but with higher volume capacities to handle less dense materials such as top soil, fertilizer, wood chips and many more.

LIGHT MATERIAL BUCKETS									SSL
Part Number	Capacity yd <sup>3</sup> (m <sup>3</sup> )	Weight lb (kg)	Length in (mm)	Width in (mm)	Height in (mm)	Optimal Compatibility	Edge Type	Price	
261-1385	1.6 (1.2)	1016 (461)	41 (1035)	82 (2080)	38 (974)	906/7	BOCE	\$	
261-1396	2.0 (1.5)	1135 (515)	46 (1172)	82 (2080)	39 (996)	908	BOCE	\$	

LIGHT MATERIAL BUCKETS									HORIZONTAL PIN LOCK (L30)
Part Number	Capacity yd <sup>3</sup> (m <sup>3</sup> )	Weight lb (kg)	Length in (mm)	Width in (mm)	Height in (mm)	Optimal Compatibility	Edge Type	Price	
261-1391	1.6 (1.2)	1019 (462)	40 (1014)	82 (2080)	38 (974)	906/7	BOCE	\$	
261-1404	2.0 (1.5)	1137 (516)	47 (1185)	82 (2080)	40 (1012)	908	BOCE	\$	

**Multi-Purpose Buckets** have the same loading, reliability and durability characteristics as other compact wheel loader buckets, with the added versatility for digging, dozing, clamping, grading and leveling in a broad range of applications.



Multi-Purpose Bucket

MULTI-PURPOSE BUCKETS										SSL
Part Number	Capacity yd <sup>3</sup> (m <sup>3</sup> )	Weight lb (kg)	Length in (mm)	Width in (mm)	Height in (mm)	Optimal Compatibility	Required Hydraulics	Edge Type	Price	
337-8941	1.0 (0.8)	1177 (534)	35 (892)	74 (1890)	37 (943)	906/7	3rd Function	BOCE	\$	
337-8942	1.0 (0.8)	1131 (513)	38 (962)	74 (1890)	37 (927)	906/7	3rd Function	BOT	\$	
337-8945	1.2 (0.9)	1283 (582)	37 (930)	82 (2080)	37 (949)	908	3rd Function	BOCE	\$	
337-8946	1.2 (0.9)	1230 (558)	39 (1000)	82 (2080)	37 (933)	908	3rd Function	BOT	\$	

MULTI-PURPOSE BUCKETS										HORIZONTAL PIN LOCK (L30)
Part Number	Capacity yd <sup>3</sup> (m <sup>3</sup> )	Weight lb (kg)	Length in (mm)	Width in (mm)	Height in (mm)	Optimal Compatibility	Required Hydraulics	Edge Type	Price	
337-8943	1.0 (0.8)	1297 (589)	36 (904)	74 (1890)	37 (943)	906/7	3rd Function	BOCE	\$	
337-8944	1.0 (0.8)	1271 (576)	38 (973)	74 (1890)	37 (943)	906/7	3rd Function	BOT	\$	
337-8947	1.2 (0.9)	1398 (634)	37 (926)	82 (2080)	37 (949)	908	3rd Function	BOCE	\$	
337-8948	1.2 (0.9)	1398 (634)	39 (996)	82 (2080)	37 (933)	908	3rd Function	BOT	\$	

MULTI-PURPOSE BUCKETS										HORIZONTAL PIN LOCK-ATLAS
Part Number	Capacity yd <sup>3</sup> (m <sup>3</sup> )	Weight lb (kg)	Length in (mm)	Width in (mm)	Height in (mm)	Optimal Compatibility	Required Hydraulics	Edge Type	Price	
470-4543	0.9 (0.7)	1292 (586)	36 (916)	74 (1880)	37 (943)	906/7	3rd Function	BOCE	\$	
470-4544	0.9 (0.7)	1292 (586)	39 (986)	74 (1880)	37 (927)	906/7	3rd Function	BOT	\$	
470-4547	1.2 (0.9)	1398 (634)	37 (926)	82 (2080)	37 (949)	908	3rd Function	BOCE	\$	
470-4548	1.2 (0.9)	1398 (634)	39 (996)	82 (2080)	37 (933)	908	3rd Function	BOT	\$	



## Multi-Purpose Heavy Duty Buckets

have additional features compared to the standard multi-purpose buckets: the BOCE on the dozer portion is made from additionally hardened steel compared to standard BOCE, an adjustable rectangle profile BOCE on the rear of the clam, and with larger capacity.



Multi-Purpose Heavy Duty Bucket

MULTI-PURPOSE HEAVY DUTY BUCKETS							HORIZONTAL PIN LOCK (L30)			
Part Number	Capacity yd <sup>3</sup> (m <sup>3</sup> )	Weight lb (kg)	Length in (mm)	Width in (mm)	Height in (mm)	Required Hydraulics	Compatibility	Edge Type	Price	
494-7609	1.2 (0.9)	1367 (620)	46 (1156)	75 (1890)	37 (934)	3rd Function	906/7	BOCE	\$	
492-2510	1.2 (0.9)	1415 (642)	43 (1086)	75 (1890)	37 (948)	3rd Function	906/7	BOT	\$	
494-7610	1.4 (1.1)	1453 (659)	45 (1154)	82 (2080)	37 (940)	3rd Function	908	BOCE	\$	
492-2511	1.4 (1.1)	1508 (684)	43 (1084)	82 (2080)	38 (956)	3rd Function	908	BOT	\$	

## Concrete Slab Bucket

Specifically designed for removing and carrying concrete slab sections.



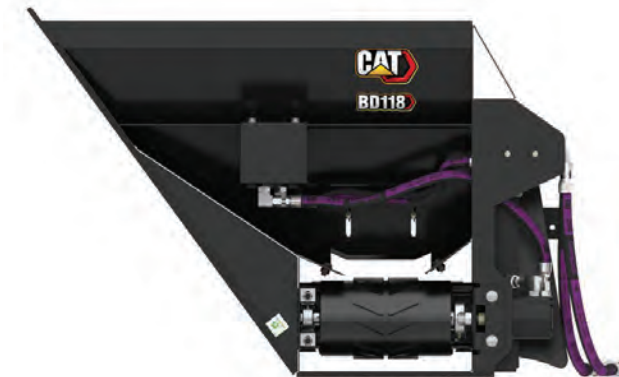
Concrete Slab Bucket

CONCRETE SLAB BUCKET						SSL
Part Number	Weight lb (kg)	Width in (mm)	Overall Width in (mm)	Height in (mm)	Maximum Slab Thickness in (mm)	Price
598-2232	463 (210)	24 (607)	45 (1150)	18 (460)	8 (202)	\$



## Sawdust and Sand Side Discharge Buckets

collect and discharge sawdust, mulch, straw and sand into barns, stalls and orchards, backfill top soil or pea gravel into trenches and spread silage. Right or left discharge.

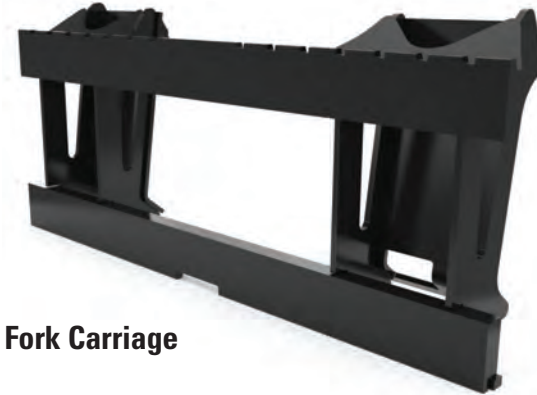


SIDE DISCHARGE BUCKETS – SAWDUST										SSL
Part Number	Capacity yd <sup>3</sup> (m <sup>3</sup> )	Weight lb (kg)	Length in (mm)	Width in (mm)	Overall Width in (mm)	Height in (mm)	Req'd Hyd	Belt Width in (mm)	Price	
477-9895	2.0 (1.5)	1780 (535)	57 (1451)	73 (1860)	75 (1900)	44 (1118)	STD Flow	12 (305)	\$	
479-8085	2.3 (1.8)	1277 (579)	57 (1451)	85 (2165)	87 (2206)	44 (1118)	STD Flow	12 (305)	\$	

SIDE DISCHARGE BUCKETS – SAND										SSL
Part Number	Capacity yd <sup>3</sup> (m <sup>3</sup> )	Weight lb (kg)	Length in (mm)	Width in (mm)	Overall Width in (mm)	Height in (mm)	Req'd Hyd	Belt Width in (mm)	Price	
479-8095	1.0 (0.8)	1058 (480)	50 (1269)	73 (1860)	75 (1900)	34 (867)	STD Flow	12 (305)	\$	
479-8105	1.3 (1.0)	1051 (522)	50 (1269)	85 (2165)	87 (2206)	34 (867)	STD Flow	12 (305)	\$	



**Pallet Fork Carriages and Forks** are used for moving palletized loads on construction sites, handling bagged fertilizer and seed at landscaping and nursery sites.



SSL Pallet Fork Carriage

PALLET FORK CARRIAGE						SSL
Part Number	Weight lb (kg)	Width in (mm)	Height in (mm)	Optimal Compatibility	Class	Price
261-1350*	249 (113)	52 (1312)	22 (550)	906/7	2	\$
261-1425*	311 (141)	55 (1397)	23 (580)	908	3	\$

\*Requires 2 forks of same class



Horizontal Pin Lock (L30)  
Pallet Fork Carriage



Horizontal Pin Lock - Atlas  
Pallet Fork Carriage

PALLET FORK CARRIAGE				HORIZONTAL PIN LOCK (L30)		
Part Number	Weight lb (kg)	Width in (mm)	Height in (mm)	Optimal Compatibility	Class	Price
260-1716*	181 (82)	52 (1312)	19 (493)	906/7	2	\$
261-1413*	269 (122)	52 (1312)	20 (519)	908	3	\$

\*Requires 2 forks of same class

PALLET FORK CARRIAGE				HORIZONTAL PIN LOCK - ATLAS		
Part Number	Weight lb (kg)	Width in (mm)	Height in (mm)	Optimal Compatibility	Class	Price
463-9907*	174 (79)	41 (1042)	19 (493)	906/7	2	\$
463-9902*	246 (112)	41 (1042)	20 (519)	908	3	\$

\*Requires 2 forks of same class



Compact Wheel Loader  
Pallet Carriages and Forks



PALLET FORKS								
Part Number	Weight lb (kg)	Tine Length in (mm)	Overall Length in (mm)	Width in (mm)	Thickness in (mm)	Height in (mm)	Class	Price
149-7665*	110 (50)	44 (1120)	47 (1194)	4 (100)	2 (50)	21 (541)	2	\$
195-8545*	114 (52)	48 (1220)	51 (1289)	4 (100)	1.6 (40)	21 (541)	2	\$
161-2437*	112 (51)	48 (1220)	51 (1294)	4 (100)	1.8 (45)	21 (541)	2	\$
138-8896*	134 (61)	44 (1120)	47 (1205)	4 (100)	2 (50)	26 (651)	3	\$
202-5483*	142 (65)	48 (1220)	51 (1305)	4 (100)	2 (50)	26 (651)	3	\$
368-2610*#	157 (71)	48 (1219)	51 (1299)	4 (100)	2 (50)	33 (829)	3	\$

\*Order two forks for a complete set  
#Long Drop

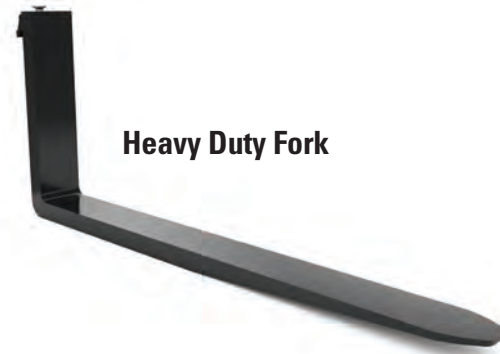


# COMPACT WHEEL LOADERS ATTACHMENTS | 2021

# COMPACT WHEEL LOADERS ATTACHMENTS | 2021

HEAVY DUTY FORK CARRIAGE						SSL
Part Number	Weight lb (kg)	Width in (mm)	Height in (mm)	Optimal Compatibility	Class	Price
260-1716*	320 (145)	57 (1438)	36 (910)	906/7	2	\$

\*Requires 2 forks of same class



Heavy Duty Fork



SSL  
Heavy Duty Fork Carriage  
(with removable center backrest for  
CWL compatibility)

HEAVY DUTY FORKS								
Part Number	Weight lb (kg)	Tine Length in (mm)	Overall Length in (mm)	Width in (mm)	Thickness in (mm)	Height in (mm)	Class	Price
540-1431*	260 (118)	42 (1067)	45 (1141)	5 (122)	1.8 (45)	22 (549)	2	\$
540-1432*	291 (132)	48 (1219)	51 (1293)	5 (122)	1.8 (45)	22 (549)	2	\$
540-1433*	348 (158)	60 (1524)	63 (1598)	5 (122)	1.8 (45)	22 (549)	2	\$

\*Order two forks for a complete set



Hydraulic Positioner Kit

HYDRAULIC POSITIONER KIT				
Part Number	Description	Hydraulics	Optimal Compatibility	Price
556-3173*	Adjust fork tine spacing from within machine	Standard Flow	HD only on 906/7	\$

\*For heavy duty fork carriage



Auger Drive

AUGER DRIVES				SSL
MODEL	A23	A41	A68	
Overall Height - in (mm)	40 (1020)	37 (934)	39 (978)	
Weight - lb (kg)	223 (101)	366 (166)	401 (182)	
Drive Shaft Torque at Max Pressure - lbs ft (N m)	1699 (2304)	3037 (4118)	5035 (6826)	
Required Hydraulics	STD Flow	STD Flow	High Flow	
Part Number	218-3178	219-7706	424-0440	
Price	\$	\$	\$	



Auger - Standard Duty

AUGER BITS - STANDARD DUTY					
Diameter - in (mm)	4 (102)	6 (152)	9 (229)	12 (305)	15 (381)
Overall Length - in (mm)	48 (1219)	49 (1238)	49 (1238)	50 (1279)	51 (1289)
Weight - lb (kg)	40 (18)	51 (23)	75 (34)	101 (46)	111 (50)
Number of Teeth	pilot only	2	3	4	5
Part Number	366-7751	153-4083	153-4084	153-4085	366-7752
Price	\$	\$	\$	\$	\$

AUGER BITS - STANDARD DUTY (CONT.)				
Diameter - in (mm)	18 (457)	24 (610)	30 (762)	36 (914)
Overall Length - in (mm)	50 (1279)	51 (1289)	50 (1279)	50 (1279)
Weight - lb (kg)	143 (65)	203 (92)	282 (128)	381 (173)
Number of Teeth	6	8	10	12
Part Number	153-4086	153-4089	217-3194	153-4091
Price	\$	\$	\$	\$



Auger - Rock Head,  
Bolt-On

AUGER BITS - ROCK HEAD*						
Diameter - in (mm)	6 (191)	9 (267)	12 (343)	15 (419)	18 (495)	24 (648)
Overall Length - in (mm)	9 (238)	10 (251)	10 (251)	10 (263)	11 (276)	12 (302)
Weight - lb (kg)	23 (11)	33 (15)	41 (19)	47 (21)	55 (25)	79 (36)
Number of Teeth	8	10	12	14	16	20
Part Number	372-0230	372-0231	372-0232	372-0233	372-0234	372-0235
Price	\$	\$	\$	\$	\$	\$

\*Bolt-on Rock Head used with standard flights



# COMPACT WHEEL LOADERS ATTACHMENTS | 2021

# COMPACT WHEEL LOADERS ATTACHMENTS | 2021



Auger – Industrial

AUGER BITS - INDUSTRIAL					
Diameter - in (mm)	6 (152)	9 (229)	12 (305)	16 (407)	18 (457)
Overall Length - in (mm)	48 (1224)	48 (1220)	48 (1219)	48 (1221)	48 (1224)
Weight - lb (kg)	57 (26)	73 (33)	90 (41)	115 (52)	108 (49)
Number of Teeth	2	4	4	6	6
Part Number	372-0260	372-0261	372-0262	372-0263	372-0264
Price	\$	\$	\$	\$	\$

AUGER BITS - INDUSTRIAL (CONT.)					
Diameter - in (mm)	24 (610)	30 (762)	36 (914)	42 (1067)	48 (1219)
Overall Length - in (mm)	48 (1219)	48 (1219)	48 (1219)	48 (1219)	48 (1220)
Weight - lb (kg)	150 (68)	181 (82)	223 (101)	291 (132)	344 (156)
Number of Teeth	8	12	12	16	16
Part Number	372-0265	372-0266	372-0267	372-0268	372-0269
Price	\$	\$	\$	\$	\$



Auger – Industrial Rock

AUGER BITS - INDUSTRIAL ROCK					
Diameter - in (mm)	6 (152)	9 (229)	12 (305)	16 (406)	18 (457)
Overall Length - in (mm)	48 (1222)	48 (1222)	48 (1222)	48 (1221)	48 (1221)
Weight - lb (kg)	79 (36)	108 (49)	135 (61)	168 (76)	192 (87)
Number of Teeth	8	10	12	15	16
Part Number	372-0270	372-0271	372-0272	372-0273	372-0274
Price	\$	\$	\$	\$	\$

AUGER BITS - INDUSTRIAL ROCK (CONT.)					
Diameter - in (mm)	20 (508)	24 (610)	30 (762)	36 (914)	
Overall Length - in (mm)	48 (1221)	48 (1222)	48 (1222)	48 (1222)	
Weight - lb (kg)	218 (99)	282 (128)	311 (141)	410 (186)	
Number of Teeth	17	20	24	26	
Part Number	372-0275	372-0276	372-0277	372-0278	
Price	\$	\$	\$	\$	



Auger – Tree

AUGER BITS - TREE		
Upper Diameter - in (mm)	24 (610)	36 (914)
Lower Diameter - in (mm)	12 (305)	18 (457)
Overall Length - in (mm)	51 (1289)	51 (1288)
Weight - lb (kg)	163 (74)	309 (140)
Number of Teeth	5	7
Part Number	153-4092	153-4095
Price	\$	\$



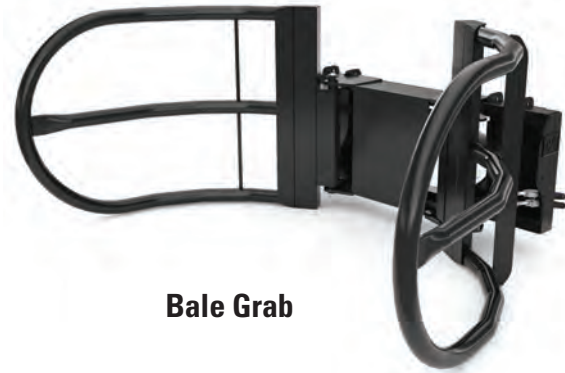
Retention Pin Kit

ADAPTERS AND EXTENSIONS		
Adapter, Hex - 2 in (50 mm) to Round - 2 9/16 in (65 mm)	156-6329	\$
Adapter, Round 2 9/16 in (65 mm) to Hex 2 in (50 mm)	217-3191	\$
Extension, Telescoping 3 ft (914 mm)	372-0256	\$
Extension, Telescoping 6 ft (1829 mm)	372-0257	\$
Extension, Auger 12 in (305 mm)	156-6328	\$
Extension, Auger 24 in (610 mm)	217-3192	\$
Retention Pin Kit	372-0258	\$

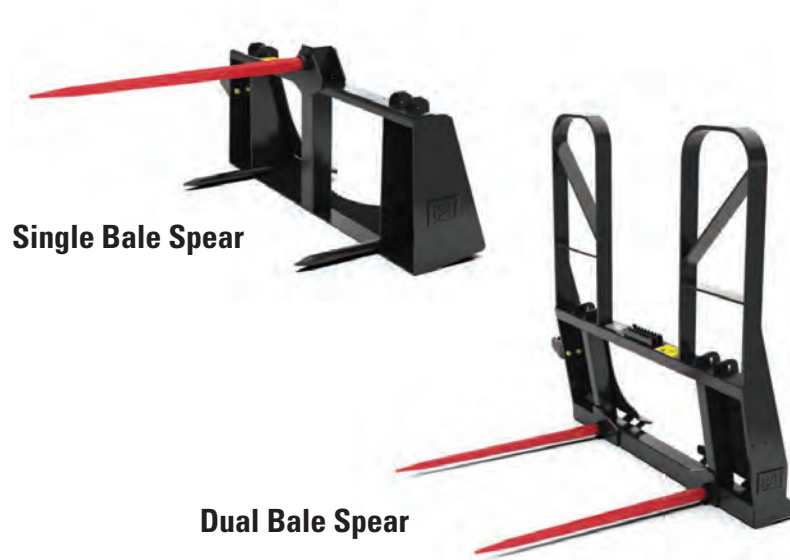


**Bale Grabs** safely grab, carry and place square or round baled material.

**Bale Spears** are ideal for hay bales, both round and square as well as other baled material in agriculture applications.



Bale Grab



Single Bale Spear

Dual Bale Spear

NOTE: Grabs include hydraulic lines with 1/2 inch quick disconnects.

BALE GRABS								SSL
Part Number	Weight lb (kg)	Capacity lb (kg)	Overall Width in (mm)	Depth in (mm)	Working Pressure psi (kPa)	Maximum Opening Width in (mm)	Required Hydraulics	Price
477-9896	575 (261)	2405 (1091)	55 (1401)	61 (1550)	3046 (21000)	71 (1803)	Standard Flow	\$
489-0075	580 (263)	2405 (1091)	55 (1401)	64 (1631)	3046 (21000)	84 (2133)	Standard Flow	\$

BALE SPEARS								SSL
Part Number	Weight lb (kg)	Capacity lb (kg)	Overall Width in (mm)	Overall Depth in (mm)	Usable Tine Length in (mm)	Tine Spacing in (mm)	Tine Configuration	Price
475-6074	154 (70)	2004 (909)	51 (1285)	47 (1186)	35 (890)	32 (800)	Single	\$
475-6079	159 (72)	2004 (909)	51 (1285)	57 (1443)	45 (1140)	32 (800)	Single	\$
475-6070	260 (118)	3007 (1364)	55 (1407)	43 (1100)	35 (890)	28 (720)	Dual	\$
475-6080	267 (121)	3007 (1364)	55 (1407)	53 (1347)	45 (1140)	28 (720)	Dual	\$

**Angle Blades** are useful for moving dirt, gravel, waste and more. They are ideal for finish grade work in construction, landscaping and road building applications.



Angle Blade

ANGLE BLADES		SSL
Overall Width - in (mm)	75 (1893)	87 (2198)
Width Fully Angled - in (mm)	66 (1685)	77 (1949)
Length - in (mm)	30 (753)	30 (753)
Weight - lb (kg)	690 (313)	730 (331)
Required Hydraulics	STD Flow	STD Flow
Part Number	177-1989	177-1990
Price	\$	\$
Kit - Snow & Impact	225-9522	225-9523
Price	\$	\$

**Dozer Blades** are designed for rough and finish grading in dirt, gravel, and light dozing.



Dozer Blade, 6-Way

DOZER BLADE 6-WAY		SSL
Overall Width - in (mm)	79 (2007)	92 (2337)
Width - Fully Angled - in (mm)	69 (1750)	81 (2049)
Length - in (mm)	41 (1028)	41 (1028)
Weight - lb (kg)	1085 (492)	1085 (492)
Required Hydraulics	STD Flow	STD Flow
Smart Attachment Recognition	No	No
Part Number	541-0940	541-0945
Price	\$	\$



# COMPACT WHEEL LOADERS ATTACHMENTS | 2021

**Angle Brooms** are for clearing parking lots, industrial plants, mill yards, airport runways, streets, driveways and lanes.



Angle Brooms



ANGLE BROOMS		SSL
MODEL	BA118C	BA118C
Width - in (mm)	104 (2637)	104 (2637)
Sweeping Width - in (mm)	83 (2119)	83 (2119)
Height - in (mm)	36 (918)	36 (918)
Length - in (mm)	69 (1741)	69 (1741)
Weight - lb (kg)	906 (411)	955 (433)
Required Hydraulics	STD Flow	STD Flow
Angling	Manual	Hydraulic
Part Number	448-5660	448-5670
Price	\$	\$

	BRISTLES		
	POLY	STEEL	Cold Weather
Part Number	562-7622	562-7623	562-7624
Quantity*	22	21	22
Price	\$	\$	\$

\*Order two kits in any combination for a complete set.

KITS			
Part Number	Model	Description	Price
452-4200	BA118C	Rubber debris deflector flap	\$
452-4195*	BA118C	Converts manual angle broom into a hydraulic angle broom	\$
452-4185**	BP118C	Water sprinkler	\$

\*Requires Work Tool Harness 14 pins. Conver. harness 377-1579 for all models except H2/K/M w/SSL quick coupler and High Flow Hydraulics

\*\* Requires machine control, electrical, water tank. For use with 448-5680 BP115C or 448-5690 BP118C.

# COMPACT WHEEL LOADERS ATTACHMENTS | 2021

**Utility Brooms** sweep and collect light debris on smooth surfaces in forward or reverse travel.



Utility Brooms

**Pickup Brooms** collect dirt and debris from a variety of surfaces.



Pickup Brooms

UTILITY BROOMS		SSL
MODEL	BU115	BU118
Overall Width - in (mm)	71 (1810)	83 (2115)
Height - in (mm)	59 (1510)	73 (1865)
Length - in (mm)	31 (793)	31 (793)
Sweeping Width - in (mm)	59 (1490)	59 (1490)
Weight - lb (kg)	948 (430)	1036 (470)
Required Hydraulics	STD Flow	STD Flow
Part Number	493-2258	493-2259
Price	\$	\$
Kit-Gutter Brush	242-7200	242-7200
Price	\$	\$
Kit-Gutter Brush Mounting	257-5229	257-5229
Price	\$	\$
Kit-Water Tank	304-9870	304-9870
Price	\$	\$

PICKUP BROOMS		SSL
MODEL	BP115C	BP118C
Overall Width - in (mm)	78 (1990)	90 (2295)
Sweeping Width - in (mm)	60 (1524)	72 (1829)
Height - in (mm)	34 (872)	34 (872)
Length - in (mm)	72 (1837)	72 (1837)
Weight - lb (kg)	1160 (526)	1257 (570)
Required Hydraulics	STD Flow	STD Flow
Part Number	448-5680	448-5690
Price	\$	\$
Kit-Gutter Brush	452-4150	452-4150
Price	\$	\$

	BRISTLES		
	POLY	STEEL	Cold Weather
Part Number	562-7602	562-7603	562-7604
Quantity*	18	17	18
Price	\$	\$	\$

	BRISTLES		
	POLY	STEEL	Cold Weather
Part Number	562-7612	562-7613	562-7614
Quantity*	21	20	21
Price	\$	\$	\$

\*Order two kits in any combination for a complete set.



# COMPACT WHEEL LOADERS ATTACHMENTS | 2021

# COMPACT WHEEL LOADERS ATTACHMENTS | 2021

**Cold Planers** are designed for small paving jobs in residential and commercial applications and are primarily used to economically restore asphalt and concrete surfaces.

COLD PLANERS				SSL
MODEL	PC104	PC105	PC305	PC306
Working Width - in (mm)	14 (350)	18 (450)	18 (450)	24 (600)
Overall Width - in (mm)	68 (1728)	68 (1728)	73 (1858)	73 (1858)
Overall Length - in (mm)	44 (1117)	47 (1182)	49 (1248)	49 (1248)
Overall Height - in (mm)	37 (941)	37 (928)	37 (928)	37 (928)
Max Cutting Depth - in (mm)	6 (150)	6 (150)	6.7 (170)	7 (170)
Required Hydraulics	STD Flow	STD Flow	High Flow	High Flow
Weight - lb (kg)	1504 (682)	1629 (739)	1870 (848)	2108 (956)
Drum Width - in (mm)	14 (350)	18 (450)	18 (450)	24 (600)
Part Number	529-5760	529-5770	529-5780*	529-5790*
Price	\$	\$	\$	\$

COLD PLANERS (CONT.)			SSL
MODEL	PC306 Water	PC310	
Working Width - in (mm)	24 (600)	39 (1000)	
Overall Width - in (mm)	73 (1858)	73 (1858)	
Overall Length - in (mm)	49 (1248)	44 (1125)	
Overall Height - in (mm)	37 (928)	37 (935)	
Max Cutting Depth - in (mm)	7 (170)	5 (130)	
Required Hydraulics	High Flow	High Flow*	
Weight - lb (kg)	2685 (1218)	2293 (1040)	
Drum Width - in (mm)	24 (600)	39 (1000)	
Part Number	529-5791*	529-5820*	
Price	\$	\$	



Cold Planer

\*Please contact your Cat dealer for more information on worktool performance.

KITS – WATER TANK			
Part Number	Description	Compatibility	Price
591-0703	PC42 Gallon	PC104, PC105, PC305, PC306, PC310	\$

KITS – WATER SPRAY			
Part Number	Description	Compatibility	Price
231-2590*	PCX03/4/5; 2 sprinkler heads	PC104, PC305	\$
231-2591*	PCX06/8; 3 sprinkler heads	PC306	\$
231-2592*	PC210/310; 4 sprinkler heads	PC310	\$

\*Requires control work tool, electrical and integrated/machine-mounted water tank



Water Tank Kit

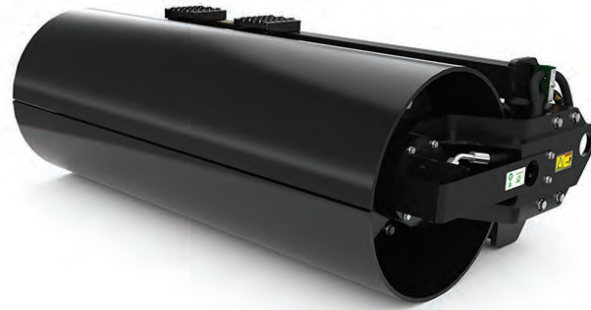
COLD PLANER DRUMS						
Part Number	Description / Width in (mm)	Cut Depth Minimum in (mm)	Cut Depth Maximum in (mm)	Bits	Optimal Compatibility	Price
231-2572	Asphalt – 3 (75)	2 (50)	8 (200)	24	PC104, PC105	\$
231-2573	Asphalt – 6 (150)	2 (50)	8 (200)	24	PC104, PC105	\$
231-2575	Asphalt – 12 (300)	2 (50)	8 (200)	42	PC104, PC105	\$
231-2580	Asphalt – 3 (75)	2 (50)	8 (200)	24	PC305, PC306	\$
231-2581	Asphalt – 6 (150)	2 (50)	8 (200)	28	PC305, PC306	\$
606-2524	Asphalt – 12 (300)	2 (50)	8 (200)	28	PC104, PC105	\$
231-2583	Asphalt – 12 (300)	2 (50)	8 (200)	42	PC306	\$
224-7360	Asphalt – 18 (450)	0 (0)	6 (150)	48	PC105	\$
231-2586	Asphalt – 18 (450)	2 (50)	8 (200)	48	PC306	\$
224-7384	Asphalt – 24 (600)	0 (0)	7 (170)	60	PC306	\$
467-8067	Fine Tooth Kit – 24 (600)	0 (0)	1.2 (30)	208	PC105	\$
467-8068	Fine Tooth Kit – 24 (600)	0 (0)	1.2 (30)	308	PC306	\$



Cold Planer Drum



**Vibratory Drum Compactors** are used for compacting soil, sand or gravel prior to pouring concrete or laying asphalt surfaces. Also ideal for asphalt patch work.



**Vibratory Drum Compactor**

VIBRATORY DRUM COMPACTORS		SSL
MODEL	CV117	CV119
Drum Width - in (mm)	66 (1676)	73 (1854)
Overall Width - in (mm)	73 (1854)	80 (2032)
Weight - lb (kg)	2064 (936)	2139 (970)
Required Hydraulics	STD Flow	STD Flow
Part Number	231-8600	231-8601
Price	\$	\$



LANDSCAPE RAKES		SSL
MODEL	LR116	LR119
Working Width - in (mm)	62 (1576)	74 (1883)
Raking Width - in (mm)	55 (1384)	66 (1665)
Overall Width - in (mm)	66 (1683)	78 (1990)
Height - in (mm)	39 (989)	39 (989)
Length - in (mm)	48 (1620)	64 (1620)
Weight - lb (kg)	1312 (595)	1440 (653)
Required Hydraulics	STD Flow	STD Flow
Part Number	224-9220	224-9221
Price	\$	\$

**Landscape Rakes** scarify soil and collect debris for easy removal.



**Landscape Rake**

**Landscape Tillers** break up soil, mixing compost and other materials into existing soil, and level terrain.



**Landscape Tiller**

LANDSCAPE TILLERS		SSL
MODEL	LT114	LT118
Working Width - in (mm)	53 (1354)	72 (1848)
Working Depth - in (mm)	6 (152)	6 (152)
Overall Width - in (mm)	70 (1789)	89 (2272)
Length - in (mm)	38 (956)	38 (956)
Height - in (mm)	30 (755)	30 (755)
Weight - lb (kg)	750 (340)	926 (420)
Required Hydraulics	STD Flow	STD Flow
Part Number	219-7165	219-0426
Price	\$	\$



**Mixing Buckets** utilize a paddle auger and hydraulically controlled chute door to mix material in a variety of applications.



Mixing Bucket

MIXING BUCKETS		SSL	
MODEL	MB200	MB250	
Capacity - yd3 (m3)	0.3 (0.2)	0.3 (0.25)	
Overall Width - in (mm)	63 (1602)	63 (1605)	
Height - in (mm)	29 (731)	35 (877)	
Length - in (mm)	27 (694)	32 (814)	
Weight - lb (kg)	639 (290)	948 (430)	
Required Hydraulics	STD Flow	STD Flow	
Part Number	489-2150	489-2200	
Price	\$	\$	



Power Box Rake

**Power Box Rakes** are designed for clearing and preparing soil in landscape finishing applications.

POWER BOX RAKES					SSL
MODEL - Future	PR172	PR172	PR184	PR184	PR190
Angle Control	MANUAL	HYDRAULIC	MANUAL	HYDRAULIC	HYDRAULIC
Overall Width - in (mm)	81 (2057)	81 (2057)	93 (2362)	93 (2362)	99 (2515)
Raking Width at Max Angle - in (mm)	68 (1727)	68 (1727)	79 (2007)	79 (2007)	85 (2159)
Overall Height - in (mm)	33 (847)	33 (847)	33 (847)	33 (847)	38 (953)
Weight - lb (kg)	900 (408)	926 (420)	1025 (465)	1049 (476)	1321 (599)
Required Hydraulics	STD Flow	STD Flow	STD Flow	STD Flow	STD Flow
Part Number	277-8210	424-0420	277-8215	424-0421	424-0422
Price	\$	\$	\$	\$	\$



Mixing Bucket

**Material Handling Arm**

Useful tool for virtually all types of applications, including industrial, construction and agricultural, to pick, carry and load a variety of materials and equipment.

MATERIAL HANDLING ARM	SSL
Overall Height - in (mm)	58 (1473)
Overall Width - in (mm)	52 (1316)
Retracted Length - in (mm)	40 (1016)
Max Horizontal Reach - in (mm)	84 (2134)
Max Load Rating - lb (kg)	2000 (907)
Weight - lb (kg)	280 (127)
Part Number	216-8756
Price	\$



Material Handling Arm



**Wheel Saws** are designed for high performance trench cutting on a variety of hard or compact surfaces such as asphalt, reinforced concrete, and rocky or frozen ground.



WHEEL SAW	SSL
<b>MODEL</b>	SW345-80
Overall Width - in (mm)	65 (1655)
Wheel Width - in (mm)	3 (80)
Overall Height - in (mm)	57 (1455)
Length - in (mm)	85 (2165)
Weight - lb (kg)	2482 (1126)
Max Cutting Depth- in (mm)	18 (450)
Required Hydraulics	High Flow*
Trench Cleaning Device	No
Part Number	529-5880
Price	\$



**Wheel Saw**

*\*Please contact your Cat dealer for more information on worktool performance.*

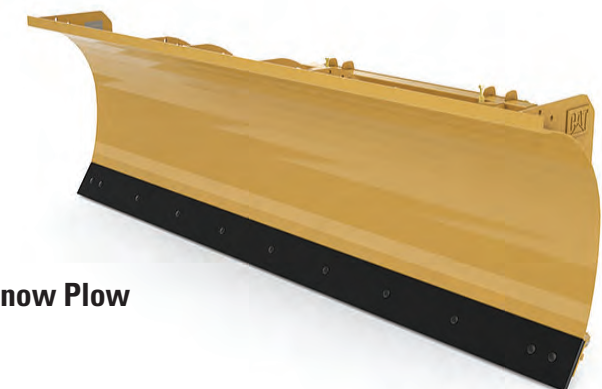


**Cat Compact Wheel Loader  
Snow Plows**

SNOW PLOWS	SSL				
MODEL	6 ft (1.8 m)	7 ft (2.1 m)	8 ft (2.4 m)	9 ft (2.7 m)	10 ft (3 m)
Width - in (mm)	72 (1826)	84 (2134)	96 (2435)	108 (2743)	120 (3045)
Overall Height - in (mm)	32 (800)	32 (800)	32 (800)	32 (800)	32 (800)
Blade Height - in (mm)	31 (797)	31 (797)	31 (797)	31 (797)	31 (797)
Length - in (mm)	49 (1247)	49 (1247)	49 (1247)	49 (1247)	49 (1247)
Weight - lb (kg)	992 (450)	1052 (477)	1107 (502)	1162 (527)	1217 (552)
Required Hydraulics	STD Flow	STD Flow	STD Flow	STD Flow	STD Flow
Part Number	481-3666	481-3667	481-3668	481-3669	481-3670
Price	\$	\$	\$	\$	\$

## Snow Plows

Robust design for moving snow with maximum efficiency and power.



**Snow Plow**



**Snow Pushes**

Unique design efficiently removes snow minimizing passes and reducing salt build up.



**Snow Push**

**Snow Multi V-Plows**

Two independently operating blades that can hydraulically angle into five different blade configurations to move snow with maximum efficiency and power.



<b>SNOW PUSHES</b>						<b>SSL</b>
<b>MODEL</b>	8 ft (2.44 m)	8 ft (2.44 m)	8 ft (2.44 m)	10 ft (3.05 m)	10 ft (3.05 m)	
Working Width - in (mm)	96 (2438)	96 (2438)	96 (2438)	120 (3048)	120 (3048)	
Overall Width - in (mm)	101 (2553)	101 (2553)	101 (2553)	124 (3162)	124 (3162)	
Trip Edge Height - in (mm)	36 (914)	39 (994)	39 (994)	36 (914)	39 (994)	
Overall Height - in (mm)	36 (914)	34 (854)	34 (854)	36 (914)	34 (854)	
Length - in (mm)	44 (1109)	45 (1143)	45 (1143)	44 (1109)	45 (1143)	
Weight - lb (kg)	778 (353)	1036 (470)	1036 (470)	866 (393)	1153 (523)	
Trip Edge Type	Rubber	Rubber	Steel	Rubber	Rubber	
Cutting Edge	-	489-3913	489-3921	-	482-1496	
Trip Edge	No	Yes	Yes	Yes	Yes	
Part Number	509-3705	479-8115	479-8120	509-3706	479-8086	
Price	\$	\$	\$	\$	\$	

<b>SNOW MULTI V-PLOWS</b>			<b>SSL</b>
<b>MODEL</b>	5 ft (1.5 m)	7 ft (2.1 m)	
Straight Width - in (mm)	60 (1524)	60 (1524)	
Length - in (mm)	52 (1320)	52 (1320)	
Overall Height - in (mm)	33 (826)	33 (826)	
Weight - lb (kg)	639 (290)	639 (290)	
Required Hydraulics	STD Flow	STD Flow	
Part Number	542-7309	542-7310	
Price	\$	\$	



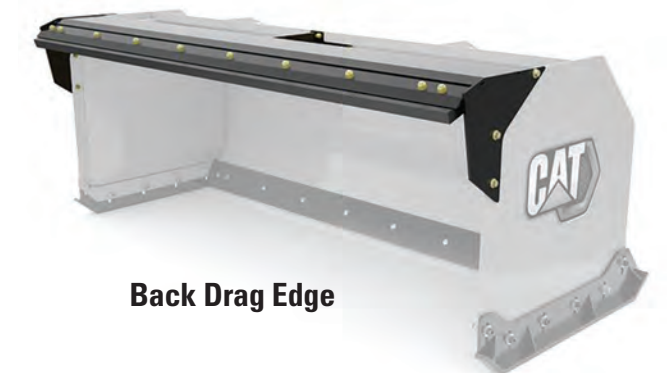
**Snow Multi V-Plow**

<b>SNOW PUSHES (CONT.)</b>					<b>SSL</b>
<b>MODEL</b>	10 ft (3.05 m)	12 ft (3.66 m)	12 ft (3.66 m)	12 ft (3.66 m)	
Working Width - in (mm)	120 (3048)	144 (3658)	144 (3658)	144 (3658)	
Overall Width - in (mm)	124 (3162)	149 (3772)	149 (3772)	149 (3772)	
Trip Edge Height - in (mm)	39 (994)	36 (914)	39 (994)	39 (994)	
Overall Height - in (mm)	34 (854)	36 (914)	34 (854)	34 (854)	
Length - in (mm)	45 (1143)	44 (1109)	45 (1143)	45 (1143)	
Weight - lb (kg)	1153 (523)	952 (432)	1347 (611)	1402 (636)	
Trip Edge Type	Steel	Rubber	Rubber	Steel	
Cutting Edge	482-7668	-	489-3929	489-3927	
Trip Edge	Yes	No	Yes	Yes	
Part Number	479-8096	509-3707	479-8089	479-8099	
Price	\$	\$	\$	\$	

**Back Drag Edges**

Add versatility to your Cat snow push for even more efficiency.

<b>BACK DRAG EDGES – SNOW PUSH</b>				<b>SSL</b>
<b>MODEL</b>	8 ft (2.5 m)	10 ft (3.1 m)	12 ft (3.7 m)	
Steel Edge	481-3680	481-3686	481-3689	
Price	\$	\$	\$	
Rubber Edge	481-3675	481-3676	481-3679	
Price	\$	\$	\$	



**Back Drag Edge**



**Snow Wings**

With independently controlled wings and angling capability, the attachment can be configured to suit the needs of any job.



**Snow Wing**

SNOW WINGS		SSL	
MODEL	8 ft (2.4 m)	9 ft (2.8 m)	
Working Width - Wings Open - in (mm)	161 (4083)	174 (4425)	
Working Width - Wings Closed - in (mm)	96 (2445)	108 (2750)	
Overall Height - in (mm)	36 (915)	36 (915)	
Length - in (mm)	67 (1705)	67 (1705)	
Weight - lb (kg)	1751 (794)	1821 (826)	
Wing Rotation	180°	180°	
Angling - Left/Right of Center	35°	35°	
Required Hydraulics	STD Flow	STD Flow	
Part Number	572-3142	572-3143	
Price	\$	\$	



**Stump Grinders** are designed to economically remove stumps in residential, commercial and agricultural settings.



**Stump Grinder**

STUMP GRINDERS		SSL	
MODEL	SG16	SG36	
Cutting Depth (below ground) - in (mm)	21 (521)	21 (521)	
Cutting Height (above ground) - in (mm)	19 (470)	19 (470)	
Overall Height - in (mm)	29 (730)	32 (813)	
Overall Length - in (mm)	68 (1737)	68 (1737)	
Overall Width - in (mm)	46 (1175)	46 (1175)	
Weight - lb (kg)	836 (379)	882 (400)	
Required Hydraulics	STD Flow	High Flow	
Part Number	424-0461	424-0460	
Price	\$	\$	



**Silage Defacer**

**Silage Defacers**

Prepare silage and haylage for feed with minimal oxygen penetration reducing waste.

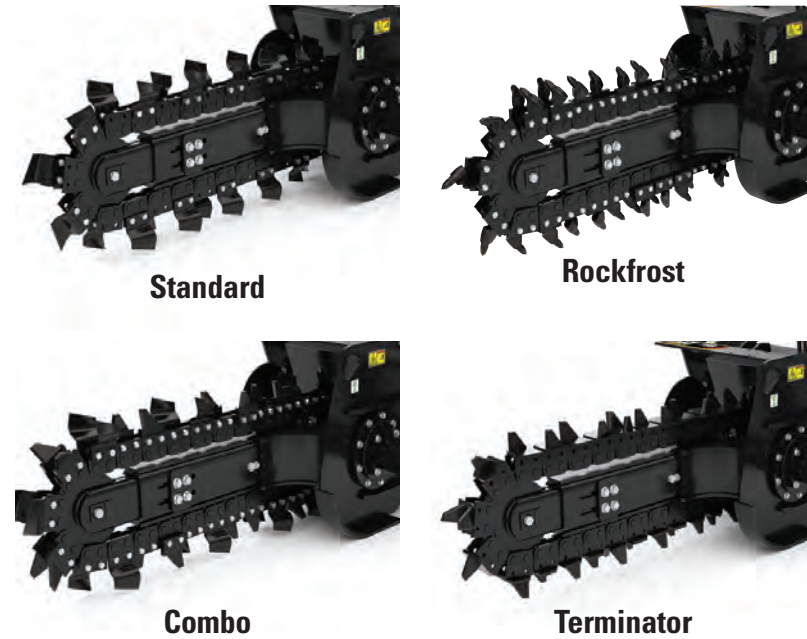
SILAGE DEFACERS		SSL		
MODEL	DFS118	DFS121	DFS124	
Overall Width - in (mm)	73 (1841)	85 (2146)	97 (2451)	
Overall Height - in (mm)	25 (639)	25 (639)	25 (639)	
Weight - lb (kg)	937 (425)	1052 (477)	1109 (503)	
Required Hydraulics	STD Flow	STD Flow	STD Flow	
Part Number	477-9900	479-8090	479-8110	
Price	\$	\$	\$	



# COMPACT WHEEL LOADERS ATTACHMENTS | 2021

# COMPACT WHEEL LOADERS ATTACHMENTS | 2021

**Trenchers** are designed for cutting narrow straight trenches in the soil prior to laying electrical, telephone and cable lines, or water and gas pipe. Trenchers are ideal for residential, commercial, agricultural, building construction, lawn care and golf course maintenance.



TRENCHERS							SSL
MODEL	T109	T109	T109	T109	T112	T112	T112
Side Shift Control	Manual	Hydraulic	Manual	Hydraulic	Manual	Hydraulic	Hydraulic
Cutting Width - in (mm)	6 (152)	6 (152)	8 (203)	8 (203)	6 (152)	6 (152)	8 (203)
Overall Width - in (mm)	56 (1426)	56 (1426)	56 (1426)	56 (1426)	75 (1901)	75 (1901)	75 (1901)
Overall Length - in (mm)	92 (2348)	92 (2348)	92 (2348)	92 (2348)	107 (2705)	107 (2705)	107 (2705)
Overall Height - in (mm)	31 (786)	31 (786)	31 (786)	31 (786)	31 (786)	31 (786)	31 (786)
Side Shift Travel - in (mm)	17 (419)	17 (419)	17 (419)	17 (419)	22 (559)	22 (559)	22 (559)
Standard Boom Length - in (mm)	36 (914)	36 (914)	36 (914)	36 (914)	48 (1219)	48 (1219)	48 (1219)
*Weight - lb (kg)	1012 (459)	1076 (488)	1028 (466)	1092 (495)	1076 (488)	1121 (509)	1186 (538)
Required Hydraulics	STD Flow	STD Flow	STD Flow	STD Flow	STD Flow	STD Flow	STD Flow
With Chain							
*Standard	261-4806	261-4859	261-8557	261-8558	233-2346	241-4252	241-4253
Price	\$	\$	\$	\$	\$	\$	\$
Combo	261-8559	261-8560	-	-	233-2350	241-4254	-
Price	\$	\$	\$	\$	\$	\$	\$
Rockfrost	261-8561	261-8562	-	-	241-4251	241-4255	-
Price	\$	\$	\$	\$	\$	\$	\$
Terminator	261-8563	261-8564	-	-	-	-	-
Price	\$	\$	\$	\$	\$	\$	\$

\* Weight with Standard Chain

TRENCHERS (CONT.)		SSL
MODEL	T315	T315
Side Shift Control	Hydraulic	Hydraulic
Cutting Width - in (mm)	6 (152)	8 (203)
Overall Width - in (mm)	75 (1901)	75 (1901)
Overall Length - in (mm)	119 (3010)	119 (3010)
Overall Height - in (mm)	31 (786)	31 (786)
Side Shift Travel - in (mm)	22 (559)	22 (559)
Standard Boom Length - in (mm)	60 (1524)	60 (1524)
Weight - lb (kg)	1212 (550)	1287 (584)
Required Hydraulics	High Flow*	High Flow*
With Chain		
Standard	424-0471	424-0472
Price	\$	\$
Combo	424-0473	-
Price	\$	\$

\*Please contact your Cat dealer for more information on worktool performance.

## Crumber Arm and Skid Shoes

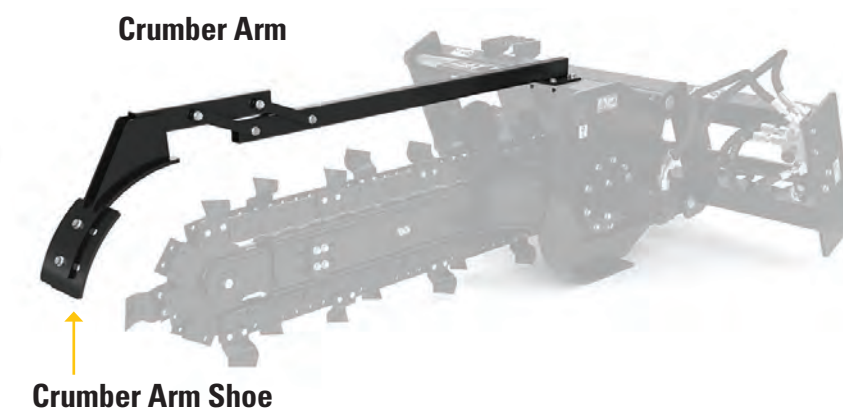
Ensure smooth trench bottom following chain teeth. Formed Skid Shoes Serve as Pivot Point and Maintain Proper Spoil Auger Orientation.

TRENCHER CRUMBER ARMS			
MODEL	T109	T112	T315
Part number	264-5714	264-7601	664-7602
Price	\$	\$	\$

CRUMBER ARM SHOES		
Shoe	6 - 8 in (152 - 202 mm)	10 - 12 in (254 - 305 mm)
Part Number	264-7597	264-7598
Price	\$	\$

TRENCHER CHAINS ONLY			
MODEL	T109	T109	T112
	6 in	8 in	6 in
Standard	259-0312	258-8644	189-5956
Price	\$	\$	\$
Combo	261-4860	-	222-7742
Price	\$	\$	\$
Rockfrost	261-4805	-	222-7743
Price	\$	\$	\$
Terminator	243-6349	-	-
Price	\$	\$	\$

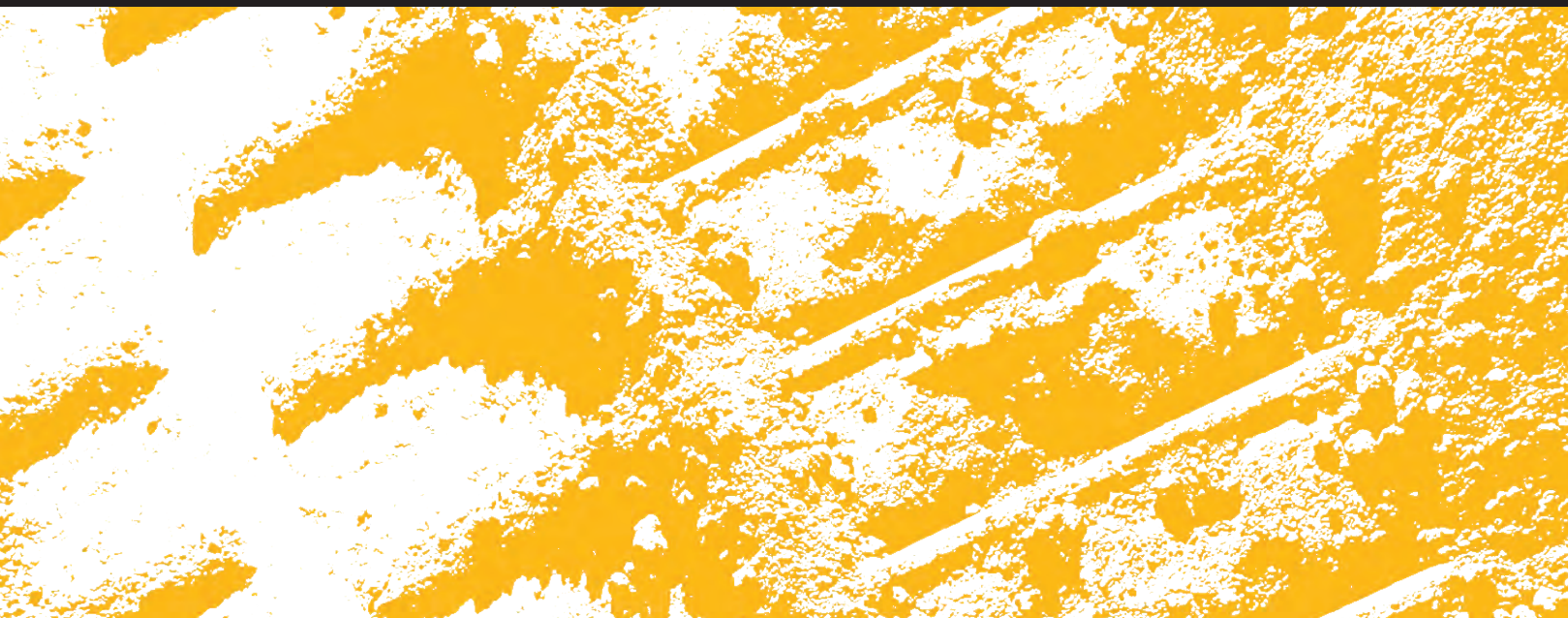
TRENCHER CHAINS ONLY (CONT.)			
MODEL	T112	T315	T315
	8 in	6 in	8 in
Standard	222-7916	189-5957	222-8523
Price	\$	\$	\$
Combo	-	222-7747	-
Price	\$	\$	\$
Rockfrost	-	-	-
Price	\$	\$	\$
Terminator	-	-	-
Price	\$	\$	\$





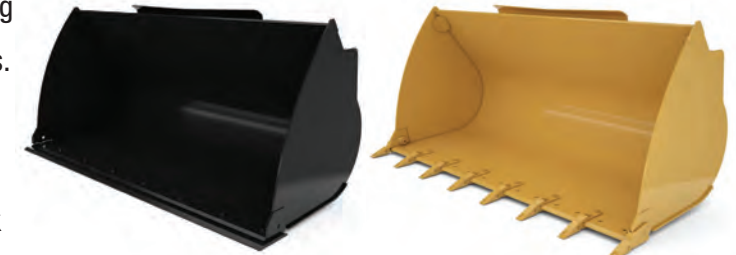


**910 – 920**



**General Purpose Performance Series**

**Buckets** are used for loading, carrying, leveling, grading and dumping in a wide variety of applications and materials. The design balances bucket shape against the machine's linkage, weight, lift and tilt capacities. Benefits of a longer floor, open throat and rounded sidebars increase rack back angles for perfect material loading and increase fill factors up to 115% on top of the specified capacities.



**IT  
General Purpose  
Performance Series Bucket**      **Pin On  
General Purpose  
Performance Series Bucket**

GENERAL PURPOSE PERFORMANCE SERIES BUCKETS							IT
Part Number	Capacity yd <sup>3</sup> (m <sup>3</sup> )	Weight lb (kg)	Length in (mm)	Width in (mm)	Height in (mm)	Edge Type	Price
472-6534	1.7 (1.3)	1221 (554)	40 (1020)	95 (2401)	43 (1080)	BOCE	\$
481-9755	1.6 (1.2)	1129 (512)	44 (1125)	96 (2429)	43 (1093)	BOT	\$
472-6539	2.0 (1.5)	1265 (574)	43 (1100)	96 (2401)	43 (1080)	BOCE	\$
481-9760	1.8 (1.4)	1173 (532)	47 (1205)	96 (2429)	43 (1093)	BOT	\$
472-6541	2.1 (1.6)	1362 (618)	45 (1134)	95 (2401)	43 (1080)	BOCE	\$
481-9762	2.0 (1.5)	1250 (567)	49 (1238)	96 (2429)	43 (1093)	BOT	\$
390-8219	2.2 (1.7)	1393 (632)	46 (1172)	95 (2401)	46 (1159)	BOCE	\$
481-9764	2.1 (1.6)	1301 (590)	50 (1275)	96 (2428)	46 (1163)	BOT	\$
492-2491	2.5 (1.9)	1470 (667)	49 (1241)	95 (2401)	46 (1159)	BOCE	\$

GENERAL PURPOSE PERFORMANCE SERIES BUCKETS							PIN ON
Part Number	Capacity yd <sup>3</sup> (m <sup>3</sup> )	Weight lb (kg)	Length in (mm)	Width in (mm)	Height in (mm)	Edge Type	Price
472-6537	1.8 (1.4)	1276 (579)	40 (1023)	95 (2401)	43 (1080)	BOCE	\$
481-9759	1.7 (1.3)	1184 (537)	45 (1130)	96 (2429)	43 (1093)	BOT	\$
472-6542	2.1 (1.6)	1342 (609)	43 (1099)	95 (2401)	43 (1080)	BOCE	\$
481-9763	2.0 (1.5)	1270 (576)	47 (1203)	96 (2429)	43 (1093)	BOT	\$
415-5961	2.4 (1.8)	1451 (658)	46 (1171)	95 (2401)	46 (1161)	BOCE	\$
481-9766	2.2 (1.7)	1358 (616)	50 (1276)	96 (2428)	46 (1171)	BOT	\$
415-5927	2.5 (1.9)	1488 (675)	47 (1205)	95 (2401)	46 (1161)	BOCE	\$
481-9767	2.4 (1.8)	1398 (634)	52 (1310)	96 (2428)	46 (1171)	BOT	\$



# COMPACT WHEEL LOADERS ATTACHMENTS | 2021

# COMPACT WHEEL LOADERS ATTACHMENTS | 2021



Horizontal Pin Lock - Wide (L50)  
General Purpose Performance Series Bucket



Fusion  
General Purpose  
Performance Series Bucket

## Flat Floor Performance Series Buckets

incorporate a specially designed long floor and a rear cutting edge to provide optimum results and productivity when performing light grading or back-dragging, all while retaining the premium loading characteristics of the performance series.



Horizontal Pin Lock - Wide (L50)  
Flat Floor Performance Series Bucket

GENERAL PURPOSE PERFORMANCE SERIES BUCKETS				HORIZONTAL PIN LOCK - WIDE (L50)			
Part Number	Capacity yd <sup>3</sup> (m <sup>3</sup> )	Weight lb (kg)	Length in (mm)	Width in (mm)	Height in (mm)	Edge Type	Price
472-6535	1.7 (1.3)	1261 (572)	38 (969)	95 (2401)	43 (1080)	BOCE	\$
481-9756	1.6 (1.2)	1169 (530)	42 (1074)	96 (2429)	43 (1093)	BOT	\$
472-6540	2.0 (1.5)	1305 (592)	41 (1049)	95 (2401)	43 (1080)	BOCE	\$
481-9761	1.8 (1.4)	1213 (550)	46 (1155)	96 (2429)	43 (1093)	BOT	\$
415-5957	2.2 (1.7)	1433 (650)	44 (1121)	95 (2401)	46 (1159)	BOCE	\$
481-9765	2.1 (1.6)	1341 (608)	48 (1225)	96 (2429)	46 (1171)	BOT	\$
492-2492	2.5 (1.9)	1470 (667)	47 (1190)	95 (2401)	46 (1159)	BOCE	\$

FLAT FLOOR PERFORMANCE SERIES BUCKETS				HORIZONTAL PIN LOCK - WIDE (L50)			
Part Number	Capacity yd <sup>3</sup> (m <sup>3</sup> )	Weight lb (kg)	Length in (mm)	Width in (mm)	Height in (mm)	Edge Type	Price
488-7005	2.0 (1.5)	1490 (676)	45 (1146)	96 (2434)	42 (1073)	WOT	\$
468-4749	2.1 (1.6)	1492 (677)	41 (1051)	95 (2401)	43 (1080)	BOCE	\$
488-7006	2.1 (1.6)	1378 (625)	47 (1181)	96 (2434)	40 (1023)	WOT	\$
468-4750	2.2 (1.7)	1525 (692)	43 (1084)	95 (2401)	43 (1080)	BOT	\$
468-4751	2.5 (1.9)	1436 (651)	46 (1156)	95 (2401)	46 (1159)	BOCE	\$
488-7007	2.4 (1.8)	1490 (676)	49 (1253)	96 (2434)	45 (1152)	WOT	\$

GENERAL PURPOSE PERFORMANCE SERIES BUCKETS							FUSION
Part Number	Capacity yd <sup>3</sup> (m <sup>3</sup> )	Weight lb (kg)	Length in (mm)	Width in (mm)	Height in (mm)	Edge Type	Price
550-3488	1.9 (1.5)	1448 (657)	44 (1106)	95 (2401)	43 (1082)	BOCE	\$
559-5194	1.9 (1.5)	1314 (596)	48 (1207)	96 (2428)	43 (1088)	BOT	\$
550-3489	2.0 (1.6)	1484 (673)	45 (1141)	95 (2401)	43 (1082)	BOCE	\$
559-5195	2.1 (1.6)	1349 (612)	49 (1242)	96 (2428)	43 (1089)	BOT	\$
546-4012	2.2 (1.7)	1519 (689)	44 (1114)	95 (2401)	49 (1250)	BOCE	\$
549-6912	2.1 (1.6)	1426 (647)	48 (1230)	96 (2435)	50 (1277)	BOT	\$
546-4014	2.6 (2.0)	1618 (734)	47 (1186)	95 (2401)	51 (1304)	BOCE	\$
549-6913	2.5 (1.9)	1618 (734)	51 (1302)	96 (2435)	52 (1331)	BOT	\$





# COMPACT WHEEL LOADERS ATTACHMENTS | 2021

## Light Material Performance Series Buckets

leverage many of the same features found in the general purpose performance series buckets, but with higher volume capacities to handle less dense materials such as topsoil, fertilizer, wood chips and many more. Fill factors can be increased up to 115% on top of the specified capacities.



IT  
Light Material Performance Series Bucket

LIGHT MATERIAL PERFORMANCE SERIES BUCKETS							IT
Part Number	Capacity yd <sup>3</sup> (m <sup>3</sup> )	Weight lb (kg)	Length in (mm)	Width in (mm)	Height in (mm)	Edge Type	Price
498-0031	3.3 (2.5)	1748 (793)	56 (1427)	100 (2549)	50 (1267)	BOCE	\$
498-0034	3.9 (3.0)	1883 (854)	60 (1517)	100 (2549)	55 (1404)	BOCE	\$
498-0037	4.6 (3.5)	2017 (915)	65 (1647)	100 (2549)	59 (1486)	BOCE	\$



Pin On  
Light Material Performance Series Bucket

LIGHT MATERIAL PERFORMANCE SERIES BUCKETS							PIN ON
Part Number	Capacity yd <sup>3</sup> (m <sup>3</sup> )	Weight lb (kg)	Length in (mm)	Width in (mm)	Height in (mm)	Edge Type	Price
498-0033	3.3 (2.5)	1799 (816)	57 (1443)	100 (2549)	50 (1267)	BOCE	\$
498-0036	3.9 (3.0)	1936 (878)	60 (1533)	100 (2549)	55 (1404)	BOCE	\$
498-0039	4.6 (3.5)	2068 (938)	66 (1663)	100 (2549)	59 (1486)	BOCE	\$

# COMPACT WHEEL LOADERS ATTACHMENTS | 2021



Horizontal Pin Lock - Wide (L50)  
Light Material Performance Series Bucket

LIGHT MATERIAL PERFORMANCE SERIES BUCKETS						HORIZONTAL PIN LOCK - WIDE (L50)	
Part Number	Capacity yd <sup>3</sup> (m <sup>3</sup> )	Weight lb (kg)	Length in (mm)	Width in (mm)	Height in (mm)	Edge Type	Price
498-0032	3.3 (2.5)	1772 (804)	58 (1467)	100 (2549)	50 (1267)	BOCE	\$
498-0035	3.9 (3.0)	1909 (866)	58 (1472)	100 (2549)	55 (1404)	BOCE	\$
498-0038	4.6 (3.5)	2042 (926)	63 (1602)	100 (2549)	59 (1486)	BOCE	\$



Fusion  
Light Material Performance Series Bucket

LIGHT MATERIAL PERFORMANCE SERIES BUCKETS						FUSION	
Part Number	Capacity yd <sup>3</sup> (m <sup>3</sup> )	Weight lb (kg)	Length in (mm)	Width in (mm)	Height in (mm)	Edge Type	Price
560-0128	3.3 (2.5)	1799 (816)	54 (1381)	100 (2549)	50 (1267)	BOCE	\$
560-0129	3.9 (3.0)	1949 (884)	58 (1471)	100 (2549)	55 (1402)	BOCE	\$
560-0130	4.6 (3.5)	2081 (944)	63 (1601)	100 (2549)	58 (1483)	BOCE	\$



## COMPACT WHEEL LOADERS ATTACHMENTS | 2021

**High Dump Buckets** feature an increased dump height over ordinary buckets for better truck loading, feeding compactors or just working the pile. Dedicated and protected dumping cylinders with a bottom hinge roll out material. Rounded sidebars provide higher fill factors and material retention in load and carry applications.



### HIGH DUMP BUCKETS IT

Part Number	Capacity yd <sup>3</sup> (m <sup>3</sup> )	Weight lb (kg)	Length in (mm)	Width in (mm)	Height in (mm)	Required Hydraulics	Edge Type	Price
583-3598	2.7 (2.1)	3157 (1432)	65 (1645)	93 (2366)	58 (1472)	3rd Function	BOCE	\$
583-3597	3.3 (2.5)	3241 (1470)	67 (1698)	93 (2366)	62 (1583)	3rd Function	BOT	\$



High Dump Bucket

### HIGH DUMP BUCKETS HORIZONTAL PIN LOCK - WIDE (L50)

Part Number	Capacity yd <sup>3</sup> (m <sup>3</sup> )	Weight lb (kg)	Length in (mm)	Width in (mm)	Height in (mm)	Required Hydraulics	Edge Type	Price
579-5824	2.7 (2.1)	3161 (1434)	64 (1622)	93 (2366)	58 (1472)	3rd Function	BOCE	\$
579-5823	3.3 (2.5)	3245 (1472)	66 (1675)	93 (2366)	62 (1583)	3rd Function	BOT	\$

## COMPACT WHEEL LOADERS ATTACHMENTS | 2021

**Extreme Duty and Heavy Duty Multi-Purpose Buckets** offer excellent versatility by enabling one work tool to do the job of many. This bucket is ideal for material handling, clamping, grading, leveling and grasping irregularly shaped objects.



Multi-Purpose Extreme Duty Bucket



Multi-Purpose Heavy Duty Bucket

### MULTI-PURPOSE BUCKETS IT

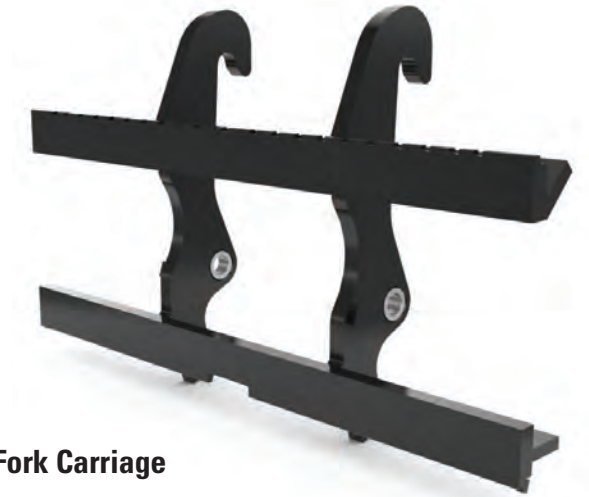
Part Number	Capacity yd <sup>3</sup> (m <sup>3</sup> )	Weight lb (kg)	Length in (mm)	Width in (mm)	Height in (mm)	Required Hydraulics	Designation	Edge Type	Price
506-1011	1.8 (1.3)	2577 (1169)	50 (1262)	97 (2457)	42 (1054)	1st Auxiliary	Extreme Duty	BOCE	\$
506-1010	1.8 (1.3)	2414 (1095)	42 (1072)	97 (2457)	42 (1054)	1st Auxiliary	Heavy Duty	BOCE	\$



**Cat Multi-Purpose  
Extreme Duty Bucket**



**Pallet Fork Carriages and Forks** are used for moving palletized loads on construction sites, handling bagged fertilizer and seed at landscaping and nursery sites.

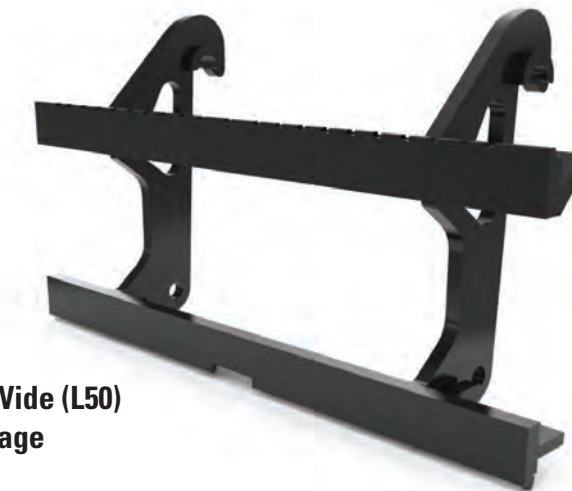


**IT Pallet Fork Carriage**

**IT FORK CARRIAGE – PALLET**

Part Number	Class	Weight lb (kg)	Width in (mm)	Length in (mm)	Height in (mm)	Price
390-8288*	3	539 (245)	61 (1550)	13 (332)	37 (935)	\$

*\*Requires 2 x Class 3 Offset forks/tines*



**Horizontal Pin Lock - Wide (L50)  
Pallet Fork Carriage**

**HORIZONTAL PIN LOCK - WIDE (L50) FORK CARRIAGE – PALLET**

Part Number	Class	Weight lb (kg)	Width in (mm)	Length in (mm)	Height in (mm)	Price
428-2109	3	536 (243)	61 (1550)	17 (428)	33 (837)	\$

*\*Requires 2 x Class 3 Offset forks/tines*



# COMPACT WHEEL LOADERS ATTACHMENTS | 2021

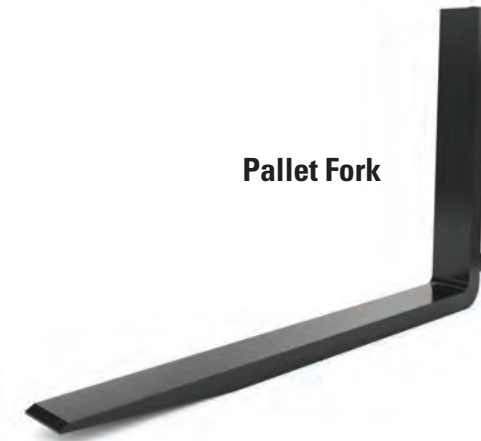
# COMPACT WHEEL LOADERS ATTACHMENTS | 2021



Fusion Pallet Fork Carriage

FORK CARRIAGE – PALLET						FUSION
Part Number	Class	Weight lb (kg)	Width in (mm)	Length in (mm)	Height in (mm)	Price
532-8222*	3/4	1570 (712)	62 (1566)	24 (610)	40 (1006)	\$

\*Requires 2 x Class 3/4 forks/tines



Pallet Fork



Offset Fork

## PALLET FORKS

Part Number	Weight lb (kg)	Tine Length in (mm)	Overall Length in (mm)	Width in (mm)	Thickness in (mm)	Height in (mm)	Class	Price
6W-8933*	191 (87)	41 (1050)	45 (1140)	5 (130)	2 (50)	32 (800)	3	\$
6W-8900*	206 (93)	47 (1200)	51 (1290)	5 (130)	2 (50)	24 (600)	3	\$
6W-9739*	223 (101)	53 (1350)	57 (1440)	5 (130)	2 (50)	32 (800)	3	\$
195-6935*	216 (98)	48 (1220)	52 (1310)	5 (122)	2 (50)	32 (793)	3	\$
553-3872*#	185 (84)	47 (1200)	51 (1291)	5 (125)	2 (50)	32 (800)	3	\$
553-3873*#	209 (95)	53 (1350)	57 (1441)	5 (125)	2 (50)	30 (750)	3	\$

\*Order two forks for a complete set. #For use with 532-8222 carriage only.

## OFFSET FORKS

Part Number	Weight lb (kg)	Tine Length in (mm)	Overall Length in (mm)	Width in (mm)	Thickness in (mm)	Height in (mm)	Class	Price
241-0921*	207 (94)	48 (1220)	52 (1310)	5 (125)	2 (50)	32 (800)	3	\$
241-0922*	207 (94)	48 (1220)	52 (1310)	5 (125)	2 (50)	32 (800)	3	\$

\*Order one right and one left fork for a complete set





Compact Wheel Loader  
Angle Brooms

**Angle Brooms** are used for clearing parking lots, industrial plants, mill yards, airport runways, streets, driveways and lanes.



BA25  
Manual Angle Broom

ANGLE BROOMS		
MODEL	BA25	BA25
Width - in (mm)	106 (2700)	106 (2700)
Sweeping Width - in (mm)	98 (2500)	98 (2500)
Brush Diameter - in (mm)	28 (700)	28 (700)
Brush Material (50% Poly / 50% Wire)	Yes	Yes
Height - in (mm)	51 (1300)	51 (1300)
Length - in (mm)	60 (1535)	61 (1550)
Weight - lb (kg)	948 (430)	1027 (466)
Angling	Manual	Hydraulic (12V)
Part Number	600-8979*	487-8493*
Price	\$	\$

\*Requires 3rd function hydraulics and hook selection

BRISTLES			
BA25 BROOM	POLY	STEEL	SPACER
Part Number	302-8211	202-8957	421-1549
Quantity*	28	27	54
Price	\$	\$	\$

\*Quantities are number needed to complete one set of mixed (poly/steel) bristles.

HOOK SELECTION			
MACHINE	INTERFACE	BA25	Price
910 – 920	IT	487-8490	\$
910 – 920	HPL-Wide (L50)	487-8480	\$
918 – 920	FUSION	497-9469	\$

\*Quantities are number needed to complete one set of mixed (poly/steel) bristles.



# COMPACT WHEEL LOADERS ATTACHMENTS | 2021

# COMPACT WHEEL LOADERS ATTACHMENTS | 2021

## PICKUP BROOMS

MODEL	BP25
Width - in (mm)	106 (2680)
Sweeping Width - in (mm)	98 (2500)
Brush Diameter - in (mm)	28 (700)
Brush Material (50% Poly / 50% Wire)	Yes
Height - in (mm)	58 (1461)
Length - in (mm)	72 (1816)
Weight - lb (kg)	1349 (612)
Required Hydraulics	3rd Function
Part Number	487-8483
Price	\$



**BP25  
Pickup Broom**

\*Requires 3rd function hydraulics and hook selection

## BRISTLES

BP25 BROOM	POLY	STEEL	SPACER
Part Number	157-2556	-	421-1549
Quantity	34	-	33
Price	\$	\$	\$

## HOOK SELECTION

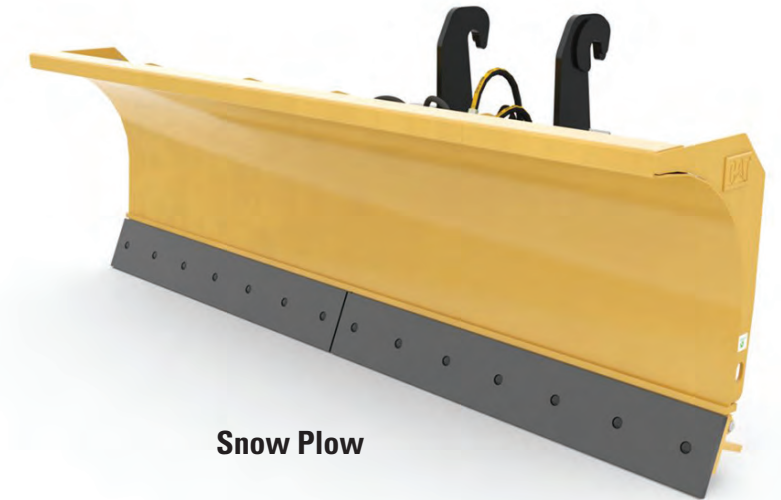
MACHINE	INTERFACE	BA25	Price
910 – 920	IT	487-8490	\$
910 – 920	HPL-Wide (L50)	487-8480	\$
918 – 920	FUSION	497-9469	\$

\*Quantities are number needed to complete one set of mixed (poly/steel) bristles.

## BROOM KITS

Part Number	Description	Price
455-7380	Twist to connect (M45) quick disconnects for machine side	\$
497-9469	Broom Hook, Fusion - For use with Fusion quick coupler	\$
487-8490	Broom Hook, IT - For use with standard quick coupler IT14/28	\$
487-8480	Broom Hook, HPL - Wide (L50) - For use with horizontal pin lock ISO coupler (L50)	\$
196-4191	QDS Kit, Push, Size 12 - Converts a machine using the nipple type quick disconnects to a machine using the flat face type quick disconnects.	\$
269-9333	BA25 Shield Extension - Spray protection for BA25	\$
497-9461	BA25 Broom Tank Kit, 105 gallons (Requires 497-9459 KIT SPRAY, BA25, 24V)	\$

**Snow Plows** are designed for snow removal applications in parking lots, driveways, airport runways and storage lots. The trip edge system protects your machine and tool from unseen obstacles by retracting when contacting objects such as a manhole cover or parking features.



**Snow Plow**

## SNOW PLOWS

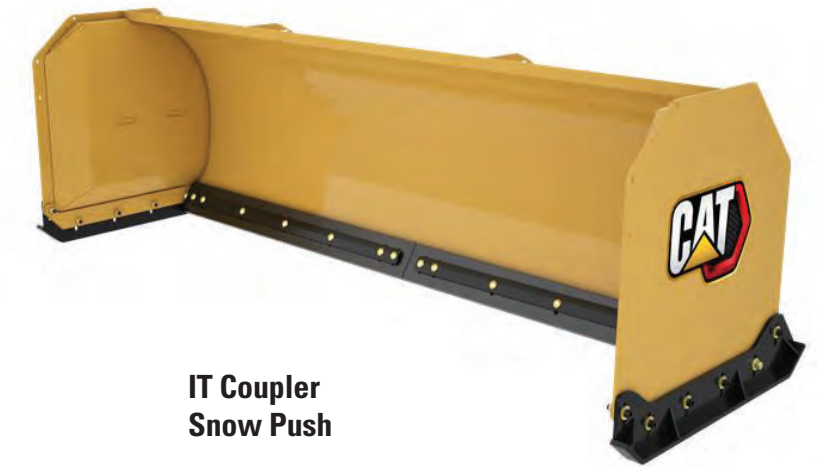
MODEL	9 ft (2.7 m)	10 ft (3 m)	12 ft (3.7 m)
Width - in (mm)	108 (2743)	120 (3048)	144 (3658)
Overall Height - in (mm)	41 (1051)	41 (1051)	41 (1051)
Blade Height - in (mm)	35 (888)	35 (888)	35 (888)
Length - in (mm)	55 (1385)	55 (1385)	55 (1385)
Weight - lb (kg)	1885 (855)	1989 (902)	2180 (989)
Trip Edge Type	Steel	Steel	Steel
Trip Edge Height- in (mm)	7.6 (194)	7.6 (194)	7.6 (194)
Required Hydraulics	3rd Function	3rd Function	3rd Function
Interface Type	IT Coupler	IT Coupler	IT Coupler
Part Number	481-3671	481-3672	481-3673
Price	\$	\$	\$





**Straight Snow Pushes**

are designed to roll and fold snow with a profiled mold board and maximize the amount of snow being pushed. Streamlined box supports ensure that snow does not cling to the tool, increasing productivity. The Cat straight snow push features a standard trip edge system which protects your machine and tool from unseen obstacles.



**IT Coupler  
Snow Push**

STRAIGHT SNOW PUSHES				IT
MODEL	10 ft (3.05 m)	12 ft (3.66 m)	10 ft (3.05 m)	12 ft (3.66 m)
Working Width - in (mm)	120 (3048)	144 (3658)	120 (3048)	144 (3658)
Overall Width - in (mm)	127 (3220)	151 (3829)	127 (3220)	151 (3829)
Overall Height - in (mm)	38 (975)	38 (975)	38 (975)	38 (975)
Length - in (mm)	51 (1279)	51 (1279)	51 (1279)	51 (1279)
Weight - lb (kg)	1803 (818)	1995 (905)	1803 (818)	4112 (1865)
Trip Edge	Yes	Yes	Yes	Yes
Edge Height - in (mm)	5 (137)	5 (137)	5 (137)	5 (137)
Edge Type	Steel	Steel	Rubber	Rubber
Part Number	479-8087	479-8091	508-8290	508-8295
Price	\$	\$	\$	\$
Cutting Edge	492-2966*	482-7664*	499-3626*	499-3627*
Price	\$	\$	\$	\$



**Straight Snow Pushes** with bucket receivers mount without having to remove the machine bucket. Ideal for machines not equipped with a quick coupler option, the bucket receiver snow push is secured by sliding the cutting edge of the bucket into the receiver arms, then fastening chains around the bucket.



**Straight Snow Push with Bucket Receiver**

BUCKET RECEIVER SNOW PUSHES				
MODEL	10 ft (3.05 m)	12 ft (3.66 m)	10 ft (3.05 m)	12 ft (3.66 m)
Working Width - in (mm)	120 (3048)	144 (3658)	120 (3048)	144 (3658)
Overall Width - in (mm)	127 (3220)	151 (3829)	127 (3220)	151 (3829)
Overall Height - in (mm)	38 (975)	38 (975)	38 (975)	38 (975)
Length - in (mm)	69 (1755)	69 (1755)	69 (1755)	77 (1945)
Weight - lb (kg)	1995 (905)	2185 (991)	4112 (1865)	2787 (1264)
Trip Edge	Yes	Yes	Yes	Yes
Trip Edge Height - in (mm)	5 (137)	5 (137)	5 (137)	8 (194)
Trip Edge Type	Steel	Steel	Rubber	Rubber
Part Number	479-8088*	479-8092*	508-8300*	508-8305*
Price	\$	\$	\$	\$
Cutting Edge	482-7618	489-3927	482-1496*	489-3929
Price	\$	\$	\$	\$

\*For use with 910K/M, 910, 914K/M, 914, 918M, 920

## Interface Bracket Solution

IT attachment to fusion coupler converter bracket adds even more versatility to these machines, enabling a defined range of IT interface attachments to be used. An easy solution to maximize machine utilization into different segments and applications.

### CONVERSION ADAPTER (IT TO FUSION)

Part Number	Weight lb (kg)	Description	Price
589-6664	330 (150)	Adapter interface	\$

## Adapter Hooks

Weld-on conversion hooks. Applicable for attachment modifications allowing connection to IT couplers, or picking up IT tools on fusion couplers.

### HOOKS (FOR CONVERSION TO FUSION)

Part Number	Weight lb (kg)	Description	Price
371-2400	330 (150)	Flat back	\$
317-5562	787 (357)	Blank	\$

### HOOKS (FOR USE WITH VERTICAL WEDGE LOCK COUPLERS)

Part Number	Weight lb (kg)	Description	Price
498-4390	493 (224)	Blank, VWL, 4"	\$

### HOOKS (FOR CONVERSION TO IT COUPLER)

Part Number	Weight lb (kg)	Description	Price
109-6712	356 (162)	Blank, IT	\$
113-2677	155 (70)	Flat back, IT	\$

### HOOKS (FOR USE WITH SW2003/6 COUPLERS)

Part Number	Weight lb (kg)	Description	Price
201-1397	152 (69)	Flat back, SA02003/6	\$



**Fusion to IT  
Conversion Adapter**



**Hook, Blank, IT**



**Hook, Blank, IT  
(Flat Back)**



